

Nova C Series Add Ons

Armrest Manual



Green Furniture Concept



Product desription.....p1

Recyclingp2

Assembly instructions| Nova C Tablep3



Product description

Nova C Table

Nova C Table

The Nova C Table can be placed in any slender rib of Nova C Back, Nova C Bench, Nova C Wall or Nova C Double. The default location is in the center of the bench.

Material table top: Massive oak treated with hardwax oil.

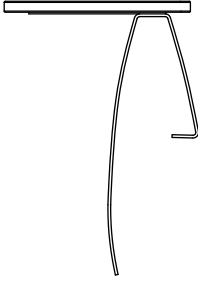
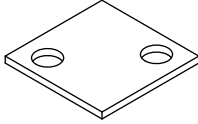



Material table holder: Powder coated steel.

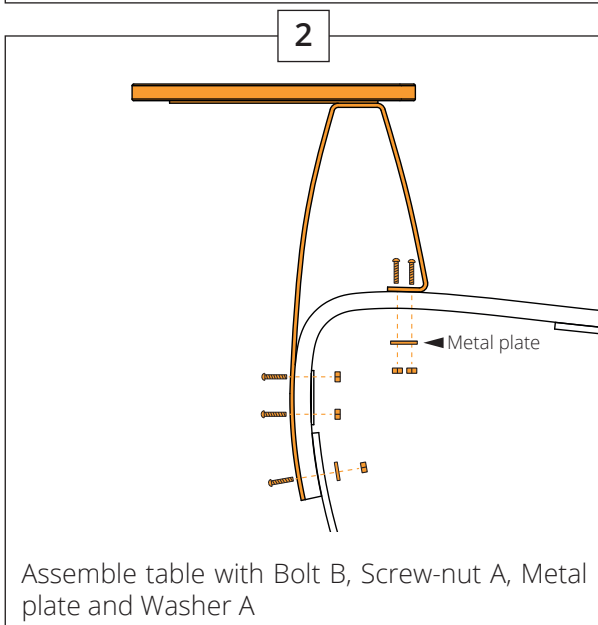
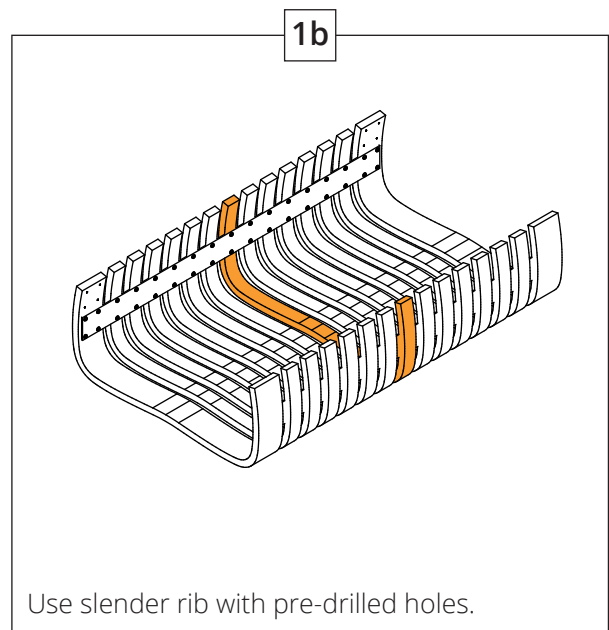
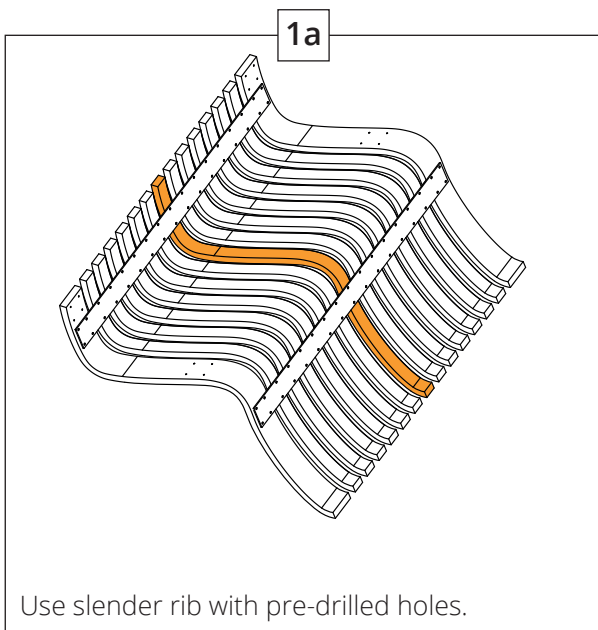


Legs, strips, armrest, table holder and small parts are made of steel and are sorted as metal.



Ribs and table tops are made of wood and adhesive and are sorted as combustible.

 <p>Nova C Table x1</p>	 <p>Metal plate x1</p>	 Bolt B x5  Washer A x1  Screw-nut A x5
--	---	--



G

Green Furniture Concept