

Nova C Series Add Ons
Nova C Double Bench Endpiece

G
Green Furniture Concept



Index

Product description.....	p1
Recycling	p2
Assembly instructions Nova C Double Bench Endpiece	p3-5



Nova C Double Endpice

Nova C Double Endpice can be placed at the end of any Nova C Double configuration.

Material Ribs: Form pressed veneer treated with hard wax oil.

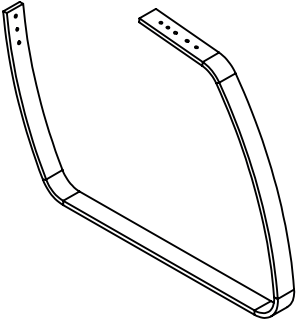
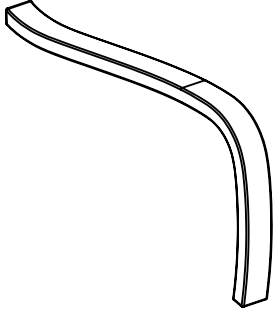
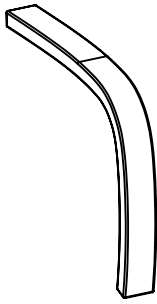
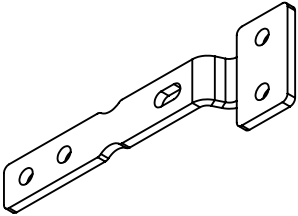
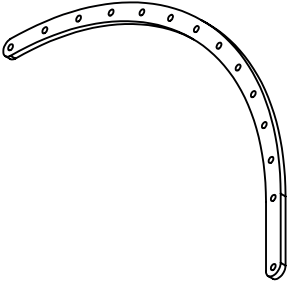
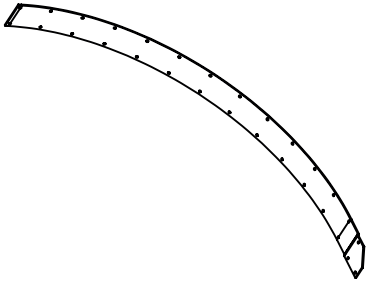
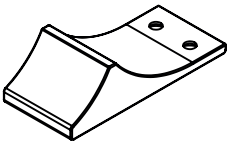
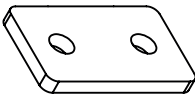
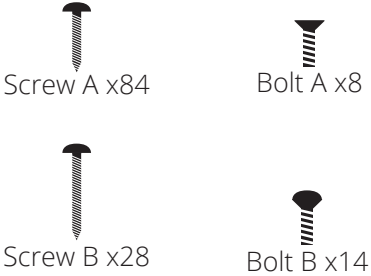
Material Legs: Powder coated steel.



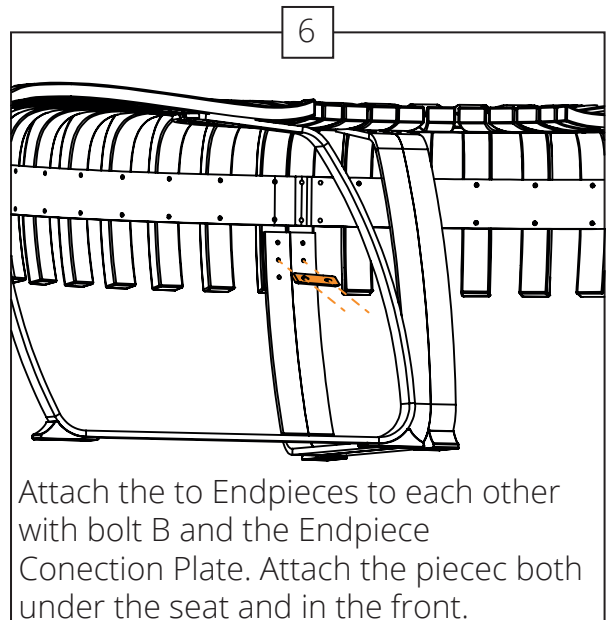
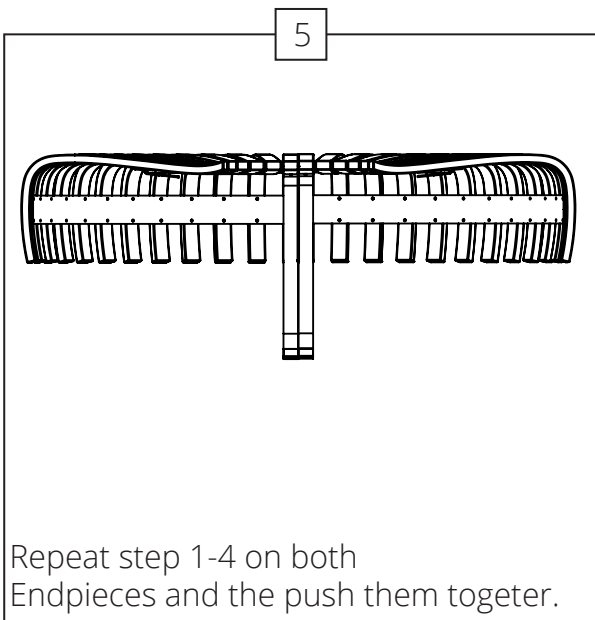
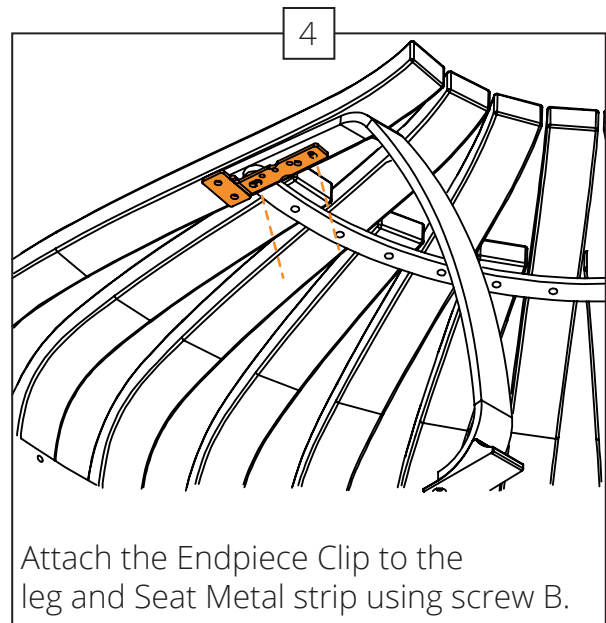
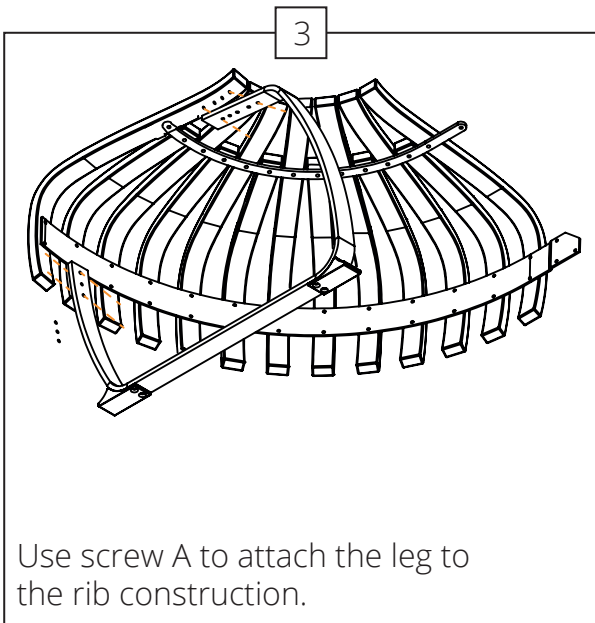
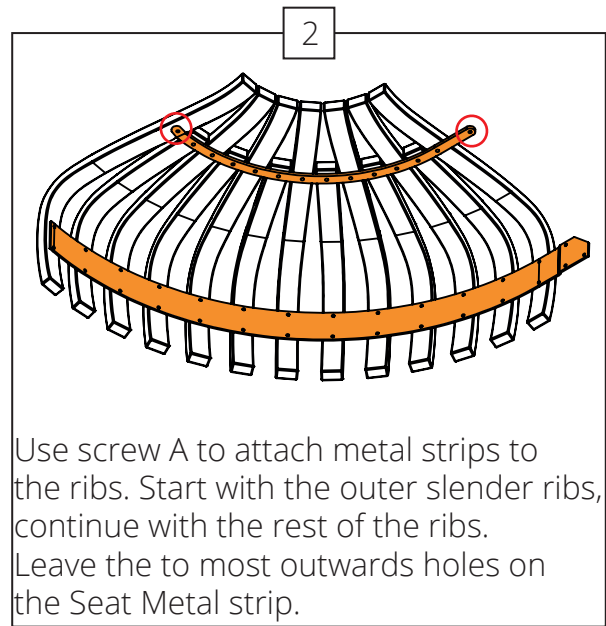
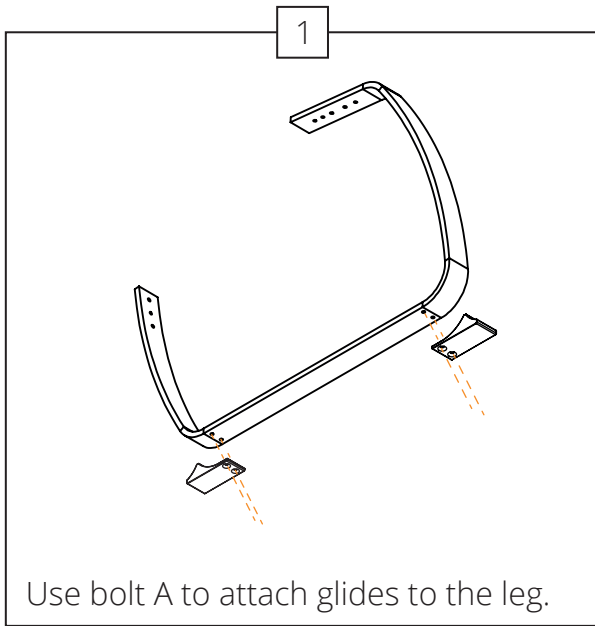
Legs, strips, armrest, table holder and small parts are made of steel and are sorted as metal.

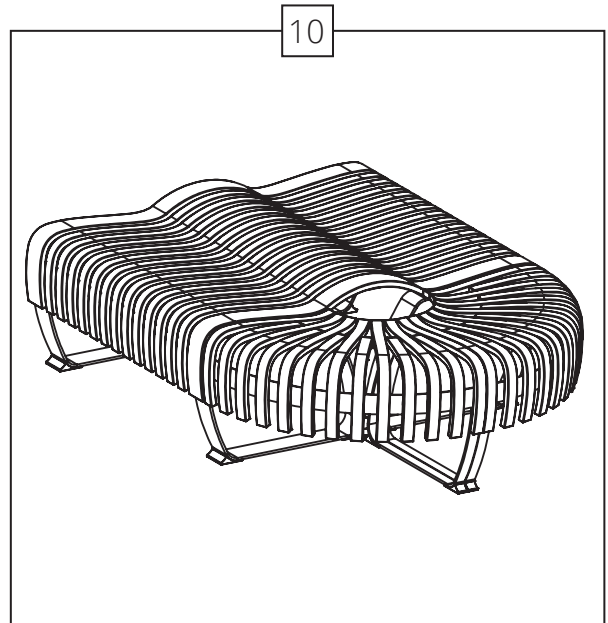
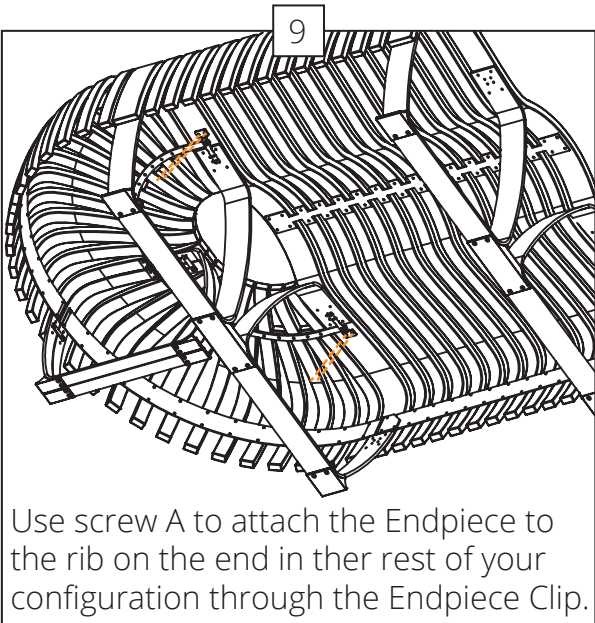
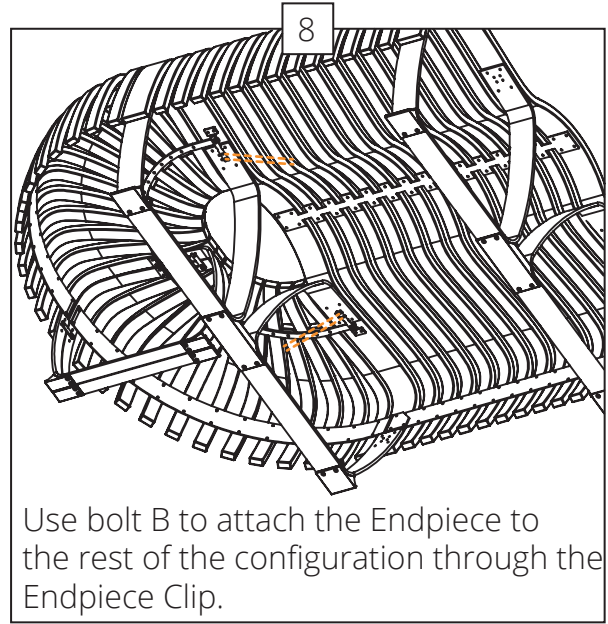
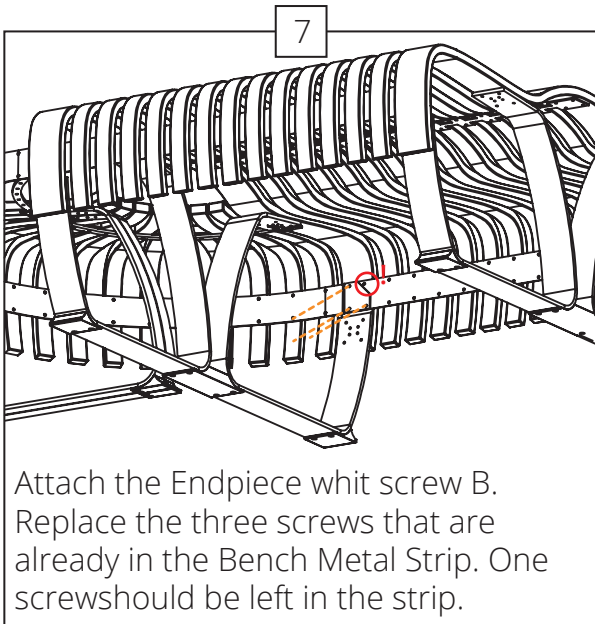


Ribs and table tops are made of wood and adhesive and are sorted as combustible.

 <p>Nova C Endpiece Leg x2</p>	 <p>Nova C Slender Rib x14</p>	 <p>Nova C Back Half Rib x12</p>
 <p>Nova C Endpiece Clip x4</p>	 <p>Nova C Seat Metal Strip 90 x2</p>	 <p>Nova C Back Metal Strip 90 x2</p>
 <p>Nova C Glides x4</p>	 <p>Nova C Endpiece Connection Plate x2</p>	 <p>Screw A x84 Bolt A x8 Screw B x28 Bolt B x14</p>

Note:
Due to that the assembly of this bench mostly is done with the ribs upside down we recommend you to use a blanket or similar to prevent damage to the ribs and metal parts.





G

Green Furniture Concept