

Ascent Stadium Charger

Ascent Series



GREEN
FURNITURE
CONCEPT



Index

Module	p3
Parts Ascent Series Charger	p4
Assembly instructions Ascent Series Charger	p5-6



Ascent Series Add ons

Ascent Series Stadium Charger

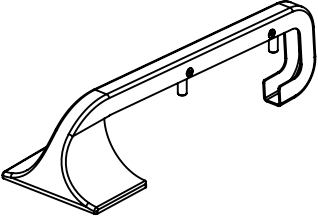
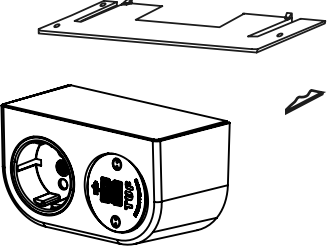
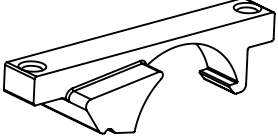
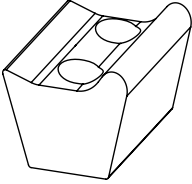
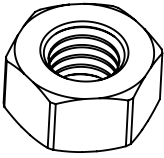


Metal frame table with a wooden top.





Parts

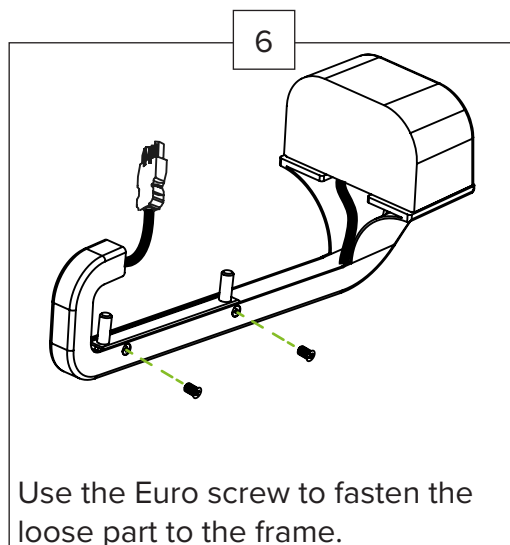
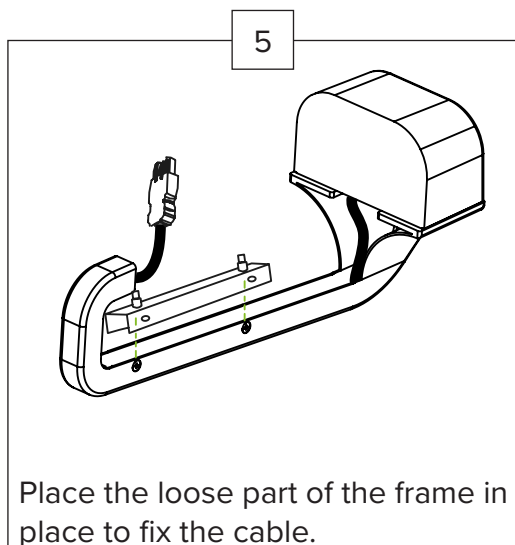
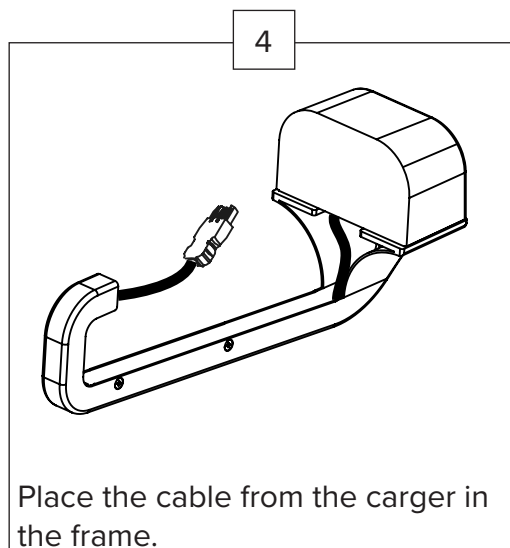
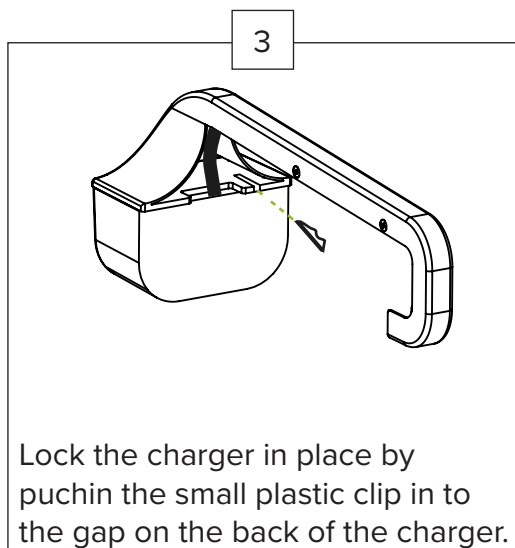
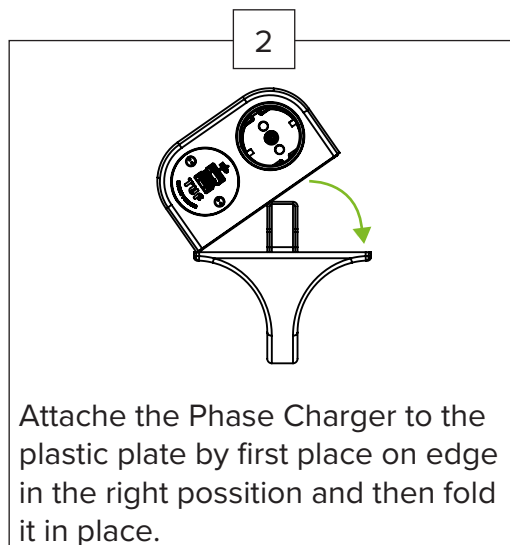
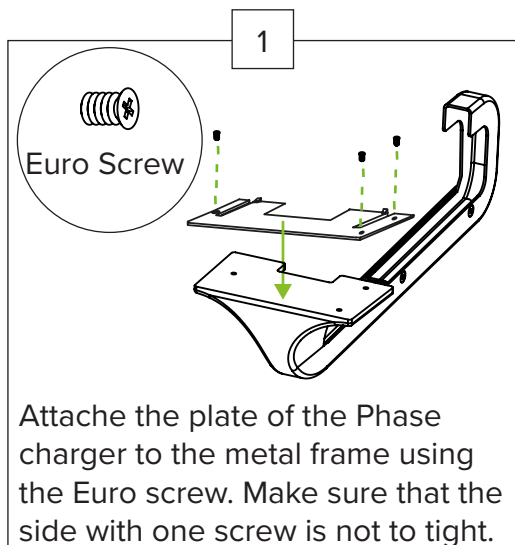
Ascent Stadium Charger

 <p>Stadium_Charger1_Frame x1</p>	 <p>Phase Charger x1</p>	 <p>Stadium_Addon_Braket1 x1</p>
 <p>Stadium_Bracket_Clip_45mm_Wide x1</p>	 <p>Nut M6 x1</p>	 <p>Screw M8x25 ISO4762 Class8.8 FZB Tuflock Grey x4</p>
		



Assembly instructions

Ascent Stadium Charger





Assembly instructions

Ascent Stadium Charger

