

Nova C Elevation Single Endpiece
Nova C Series



GREEN
FURNITURE
CONCEPT



Product description.....	p1
Recycling.....	p2
Assembly instructions Nova C Single Endpiece.....	p3-5



Nova C Elevation Endpiece Single

Nova C Elevation Endpiece Single can be played at the end of any Nova C Back Elevation configuration.

Material Ribs: Form pressed veneer treated with hard wax oil.

Material Legs: Powder coated steel.





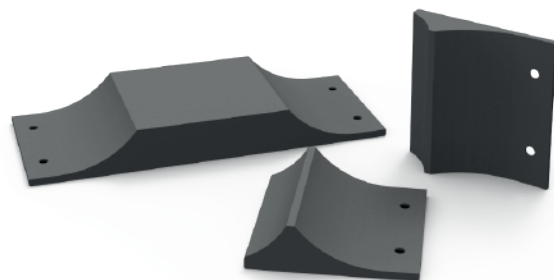
Legs, strips, armrest, table holder and small parts are made of steel and are sorted as metal.



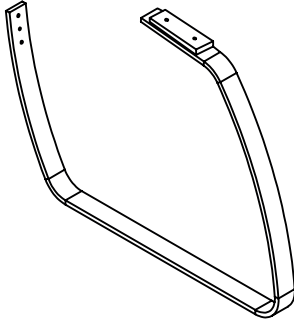
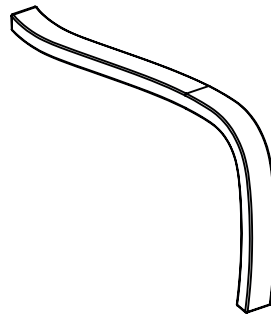
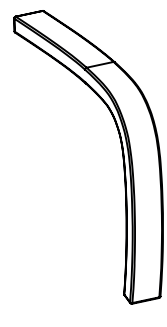
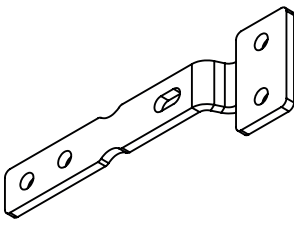
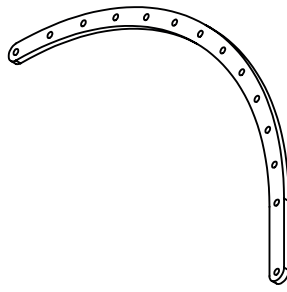
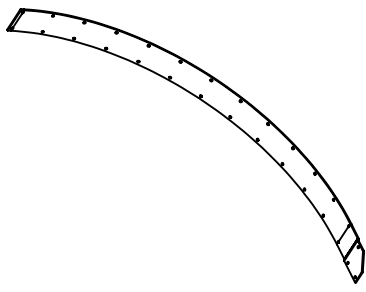
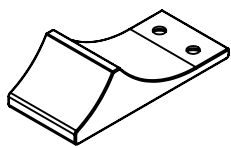

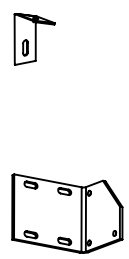
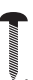
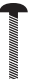




Ribs and table tops are made of wood and adhesive and are sorted as combustible.



Glides are made of HDPE and are sorted as plastic.

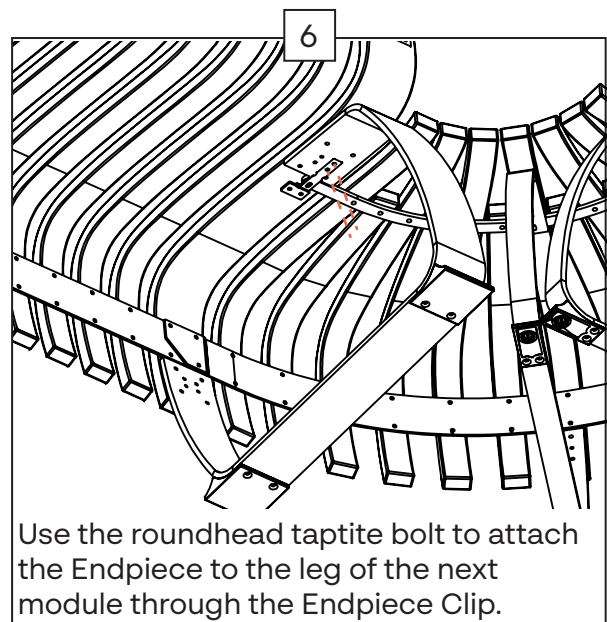
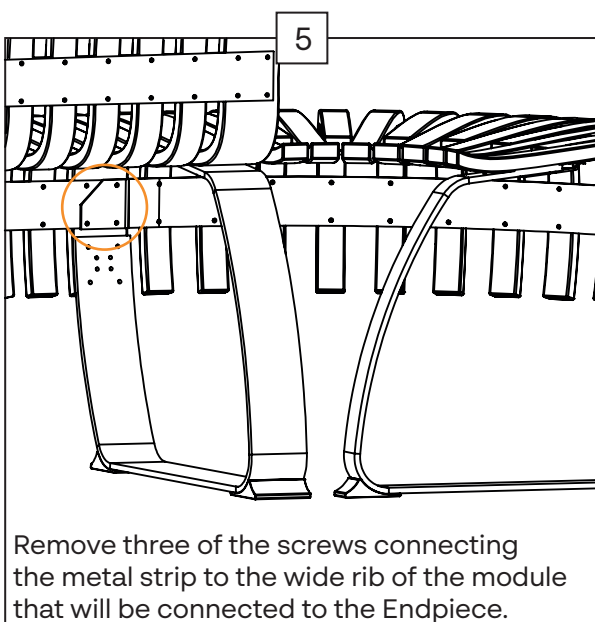
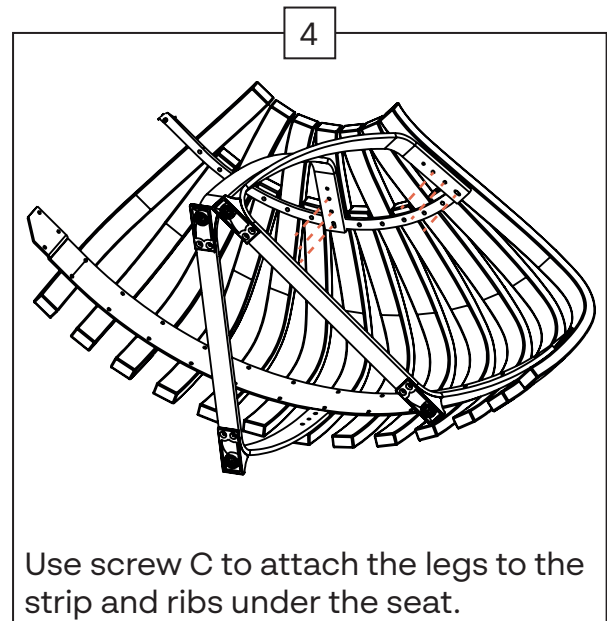
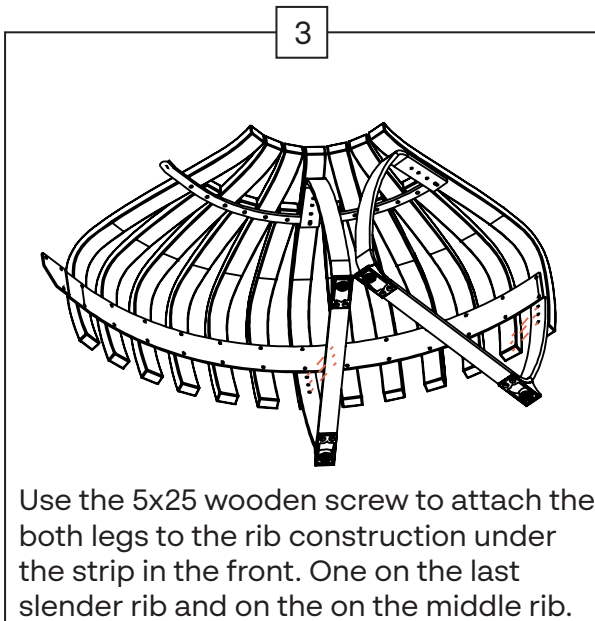
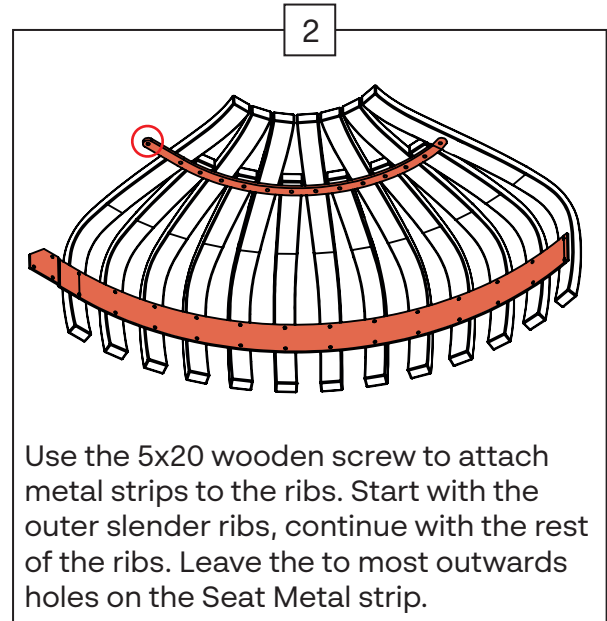
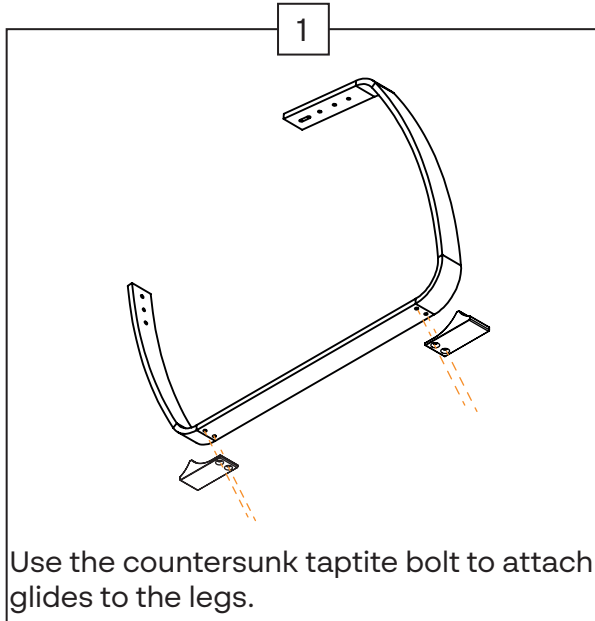




 <p>Nova C Elevation Endpiece Leg x2</p>	 <p>Nova C Slender Rib x7</p>	 <p>Nova C Back Half Rib x6</p>
 <p>Nova C Endpiece Clip x1</p>	 <p>Nova C Seat Metal Strip 90 x1</p>	 <p>Nova C Back Metal Strip 90 x1</p>
 <p>Nova C Glides x4</p>	 <p>Nova C Endpiece Cover Plate x1</p>	 <p>Top Bracket x1 Corner Bracket x1</p>
 <p>Roundhead wooden screw 5x20 x42</p>  <p>Roundhead wooden screw 5x25 x7</p>  <p>Roundhead wooden screw 5x30 x6</p>  <p>Countersunk Taptite bolt M5x8 x8</p>  <p>Taptite M5x8 Roundhead x2</p>  <p>Nut A x5</p>	<p>Note: Due to that the assembly of this bench mostly is done with the ribs upside down we recommend you to use a blanket or simillar to prevent damage to the ribs and metal parts.</p>	

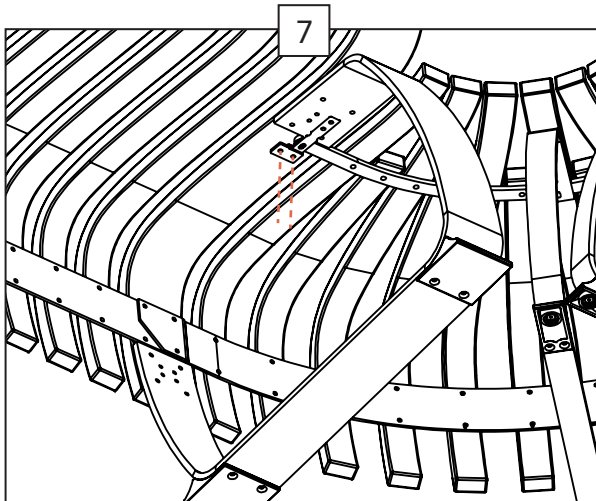


Assembly instructions Nova C Elevation Endpiece Single

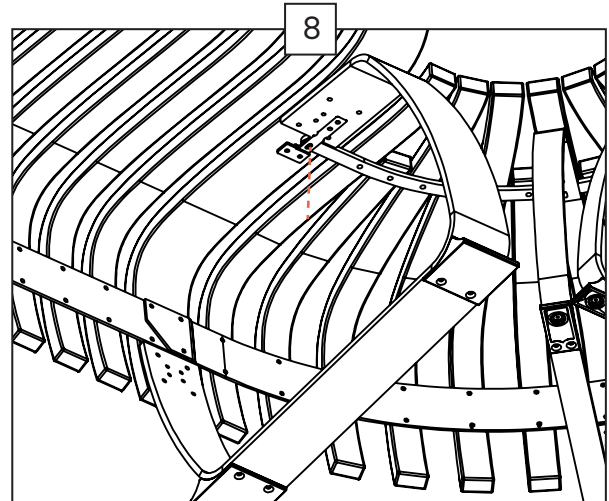




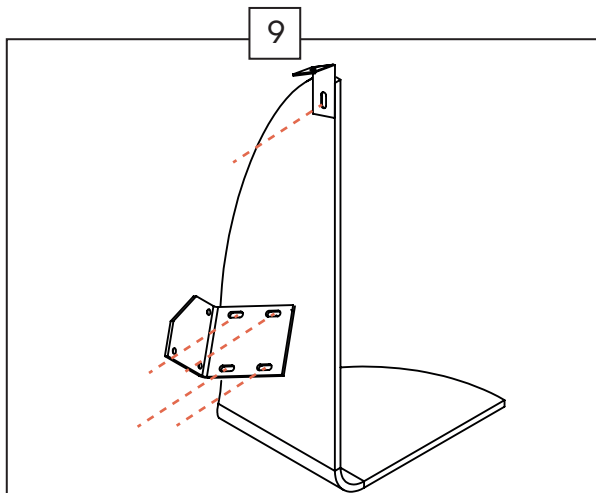
Assembly instructions
Nova C Elevation Endpiece Single



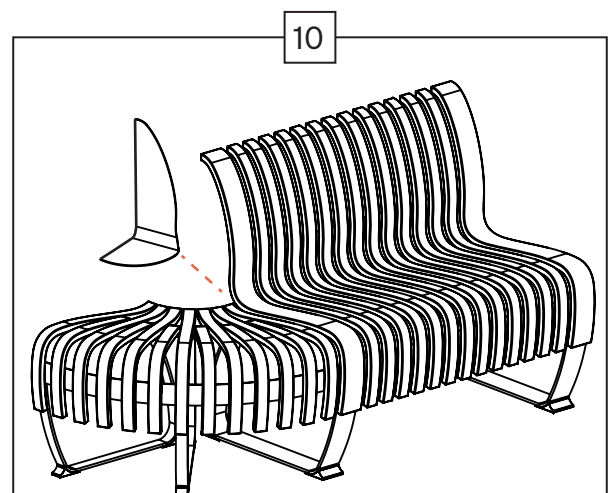
Use the 5x20 wooden screw to attach the Endpiece to the rib on the end in their rest of your configuration through the Endpiece Clip.



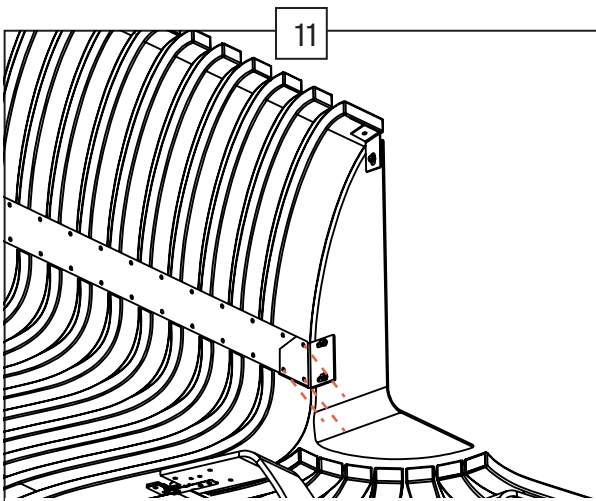
Use the 5x25 wooden screw to attach the Endpiece Clip to wooden rib through the metal strip under the seat.



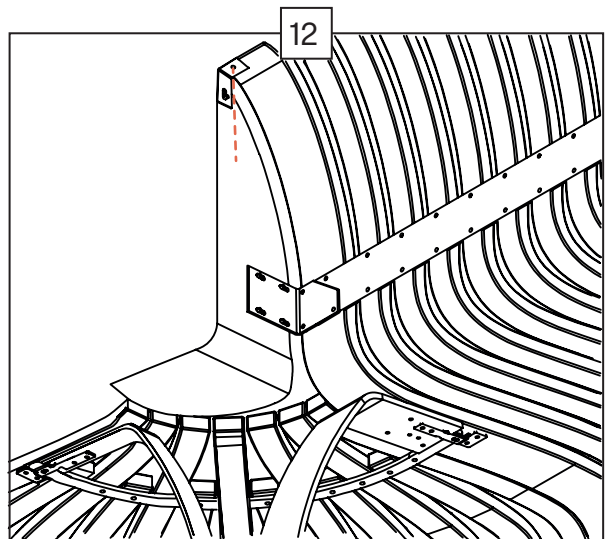
Attach the Top Bracket and the Corner Brackets to the Endpiece Cover using Nut A.



Place the Nova C Endpiece Cover at the end of the configuration.



Attach the Cover plate.
Replace the three screws that are already in the Metal Back Strip.



Use the 5x20 wooden screw to connect the top of the Cover Plate to the Back rib.



**GREEN
FURNITURE
CONCEPT**