

Nova C Series Manual



GREEN
FURNITURE
CONCEPT



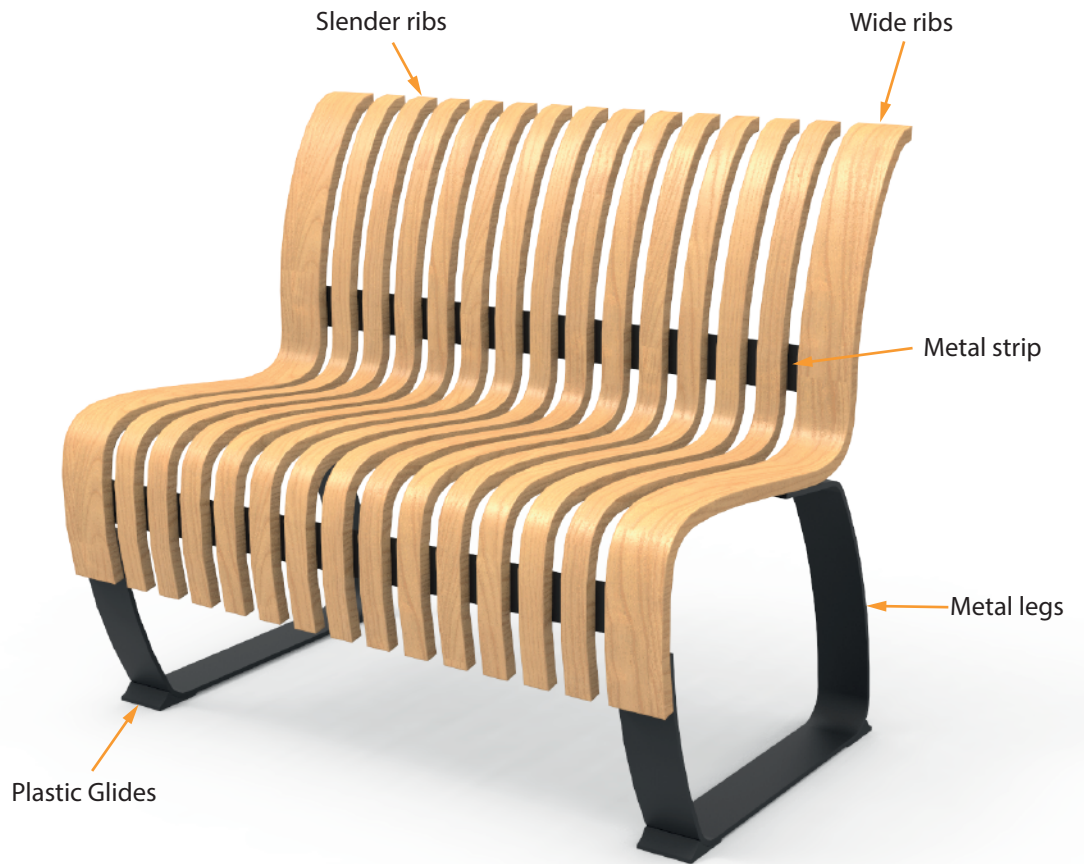
Index

Product description.....	p3-5
Add ons.....	p6-7
Recycling.....	p8
Assembly instructions Nova C Back.....	p9-11
Assembly instructions Nova C Back 90 degree.....	p12-13
Assembly instructions Nova C Double Back 100.....	p13-17
Assembly instructions Nova C Double Back Curved.....	p18-20
Assembly instructions Nova C Bench.....	p21-22
Assembly instructions Nova C Double Bench 100.....	p23-24

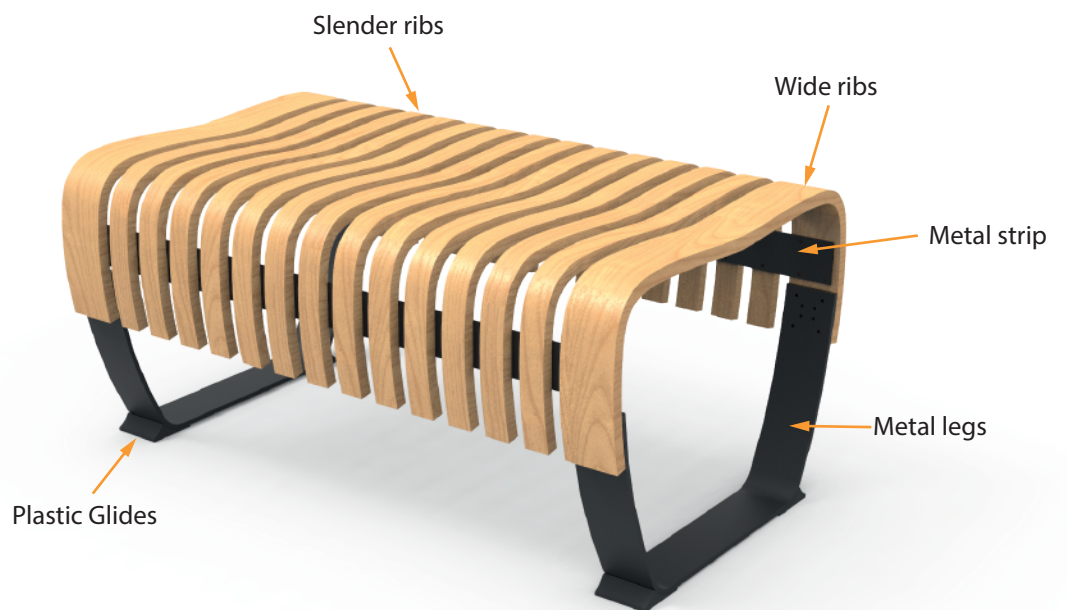


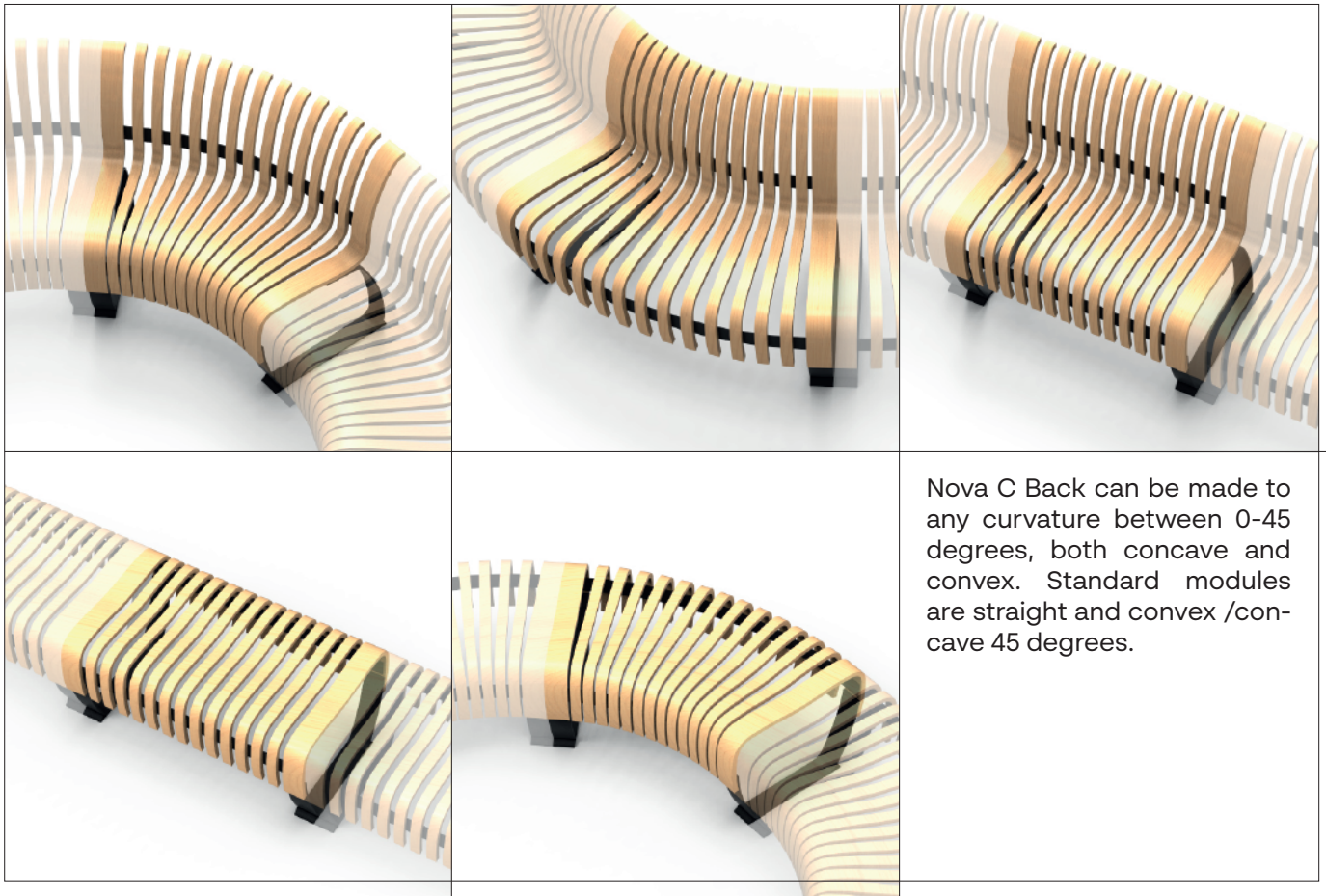
Product description
Parts

Nova C Back module

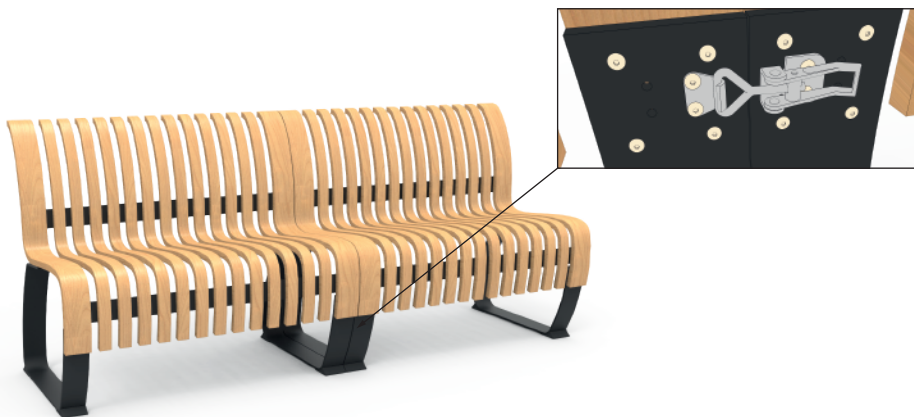


Nova C Bench module





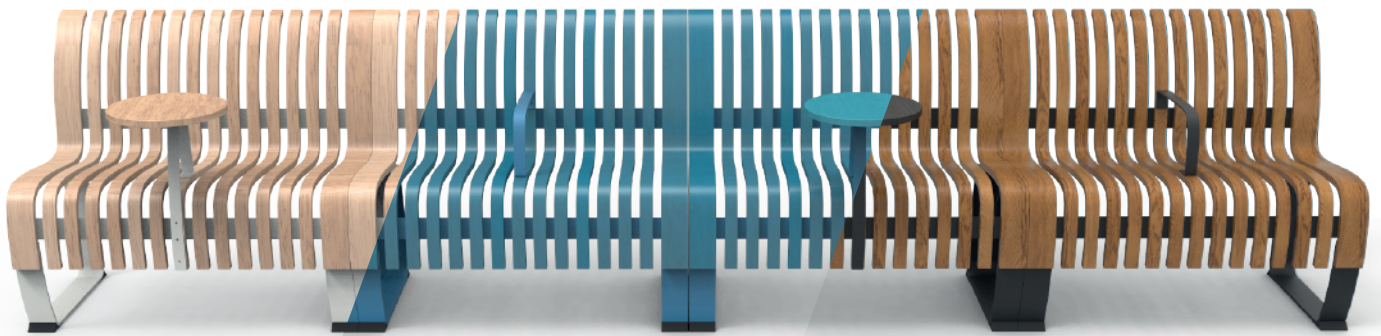
Nova C Back can be made to any curvature between 0-45 degrees, both concave and convex. Standard modules are straight and convex /concave 45 degrees.



The bench modules are snapped together and locked with a drawbolt catch.



By opening the drawbolt catch the bench modules can be easily moved for annual cleaning or for reconfiguration.



Nova C Series ribs

The ribs and table tops are treated with hard wax oil which gives surface protection and color. Standard or custom colors can be chosen as well as color mixes. Special fire retardant treatment can be added.

The ribs are made of beech or maple veneer with a surface veneer of oak or other wood of choice. The table tops are made of massive beech, oak or other wood of choice.

Legs, strips armrests and table holders

The metal parts of the bench modules are made of powder coated steel, of standard or your own choice of color, for a custom order.



Product description Add ons



Nova C Back Armrest

Nova C Back Armrest can be placed in any slender rib of Nova C Back, Nova C Wall, or Nova C Double. The default location is in the center of the bench module.

Material: Powder coated steel.

Nova C Table

The Nova C Table can be placed in any slender rib of Nova C Back, Nova C Bench, Nova C Wall or Nova C Double. The default location is in the center of the bench.

Material table top: Massive oak treated with hardwax oil.

Material table holder: Powder coated steel.



Nova C Bench Armrest

Nova C Bench Armrest can be placed in any slender rib of the Nova C bench. The default location is in the center of the bench module.

Material: Powder coated steel.





Product description Add ons



Radius Charger

Nova Charger can be placed on any leg of Nova C Bench, Nova C Back or Nova C Back Double. Choose between your preferred combination of outlets and/or USB.

Material casing: Powder coated steel.

Material outlet: ABS

Nova C Food & Beverage Armrest

Nova C Food & Beverage Armrest can be placed in any end rib of the Nova C bench.

Material table top: Massive oak treated with hardwax oil.

Material table holder: Powder coated steel.

Material outlet: ABS



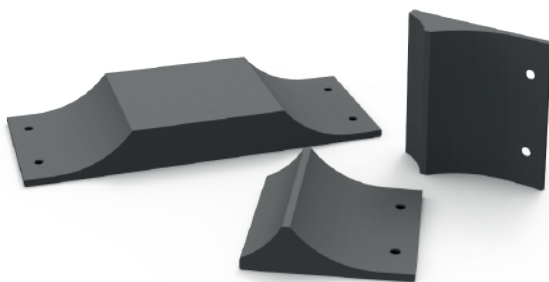


Ribs and table tops are made of wood and adhesive and are sorted as combustible.

Legs, strips, armrest, table holder and small parts are made of steel and are sorted as metal.

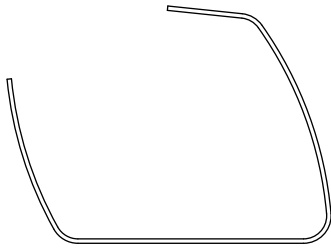


Glides are made of HDPE and are sorted as plastic.

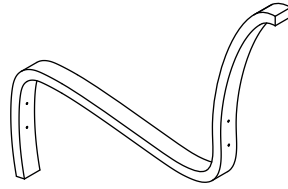


Charger casing is made of powder-coated steel and the outlet casing is made of ABS plastic. Chargers are sorted as electronic.

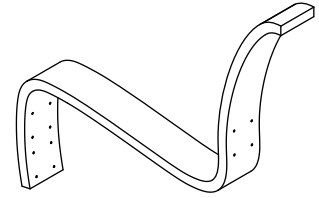




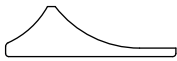
Nova C Back Leg x2



Nova C Back Slender rib x13



Nova C Back Wide rib x2



Nova C Glides x4

Note:
If you have a curved bench you will have two metal strips in different length.



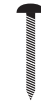
Nova C Back metal strip x2



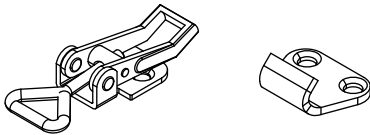
Bolt A x16



Screw A x68

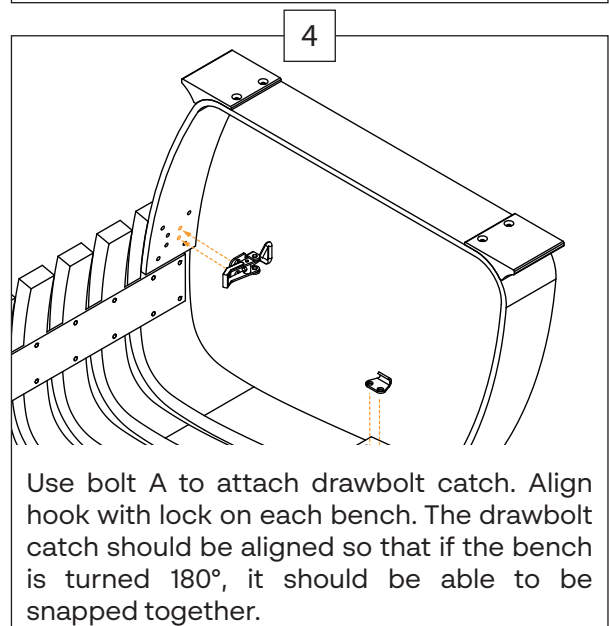
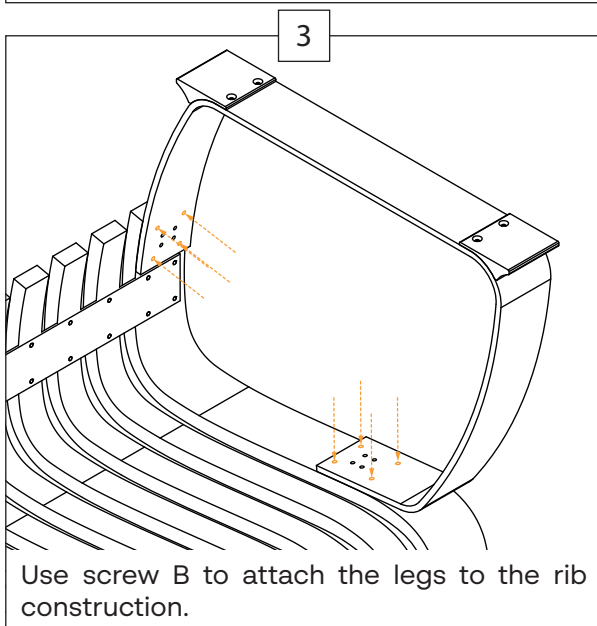
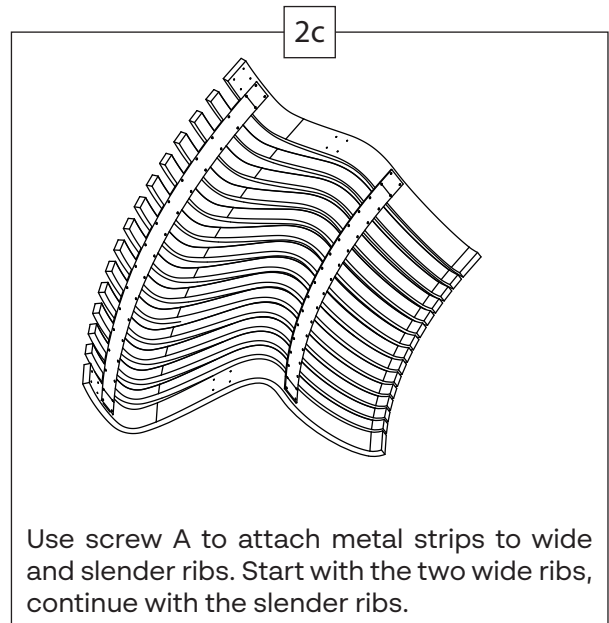
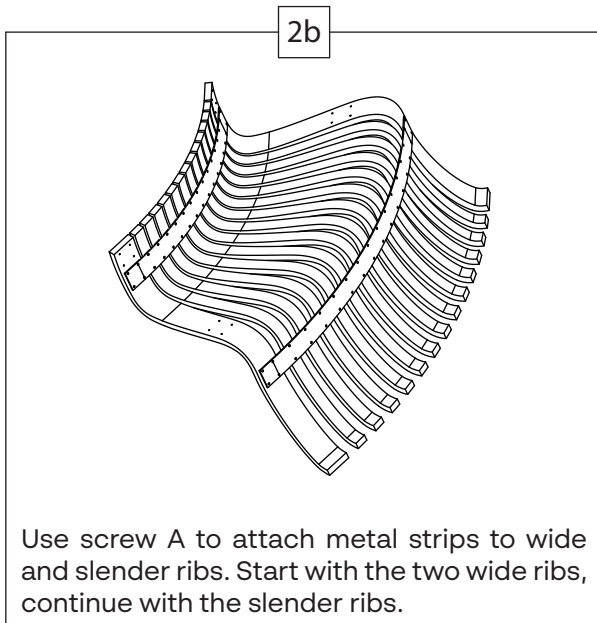
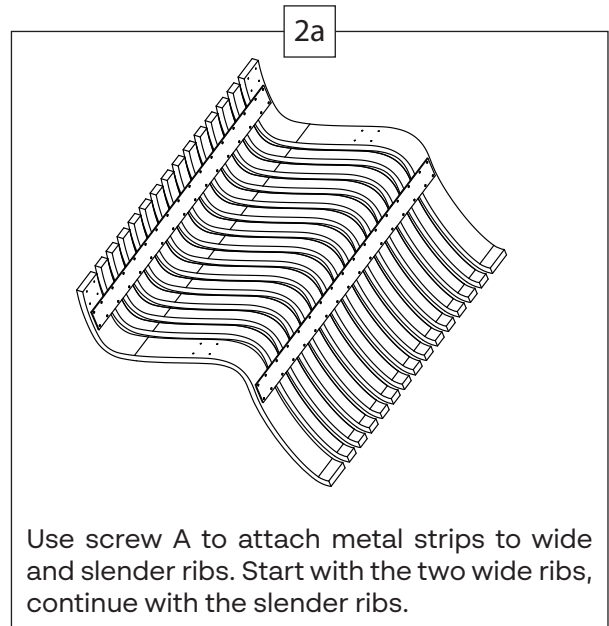
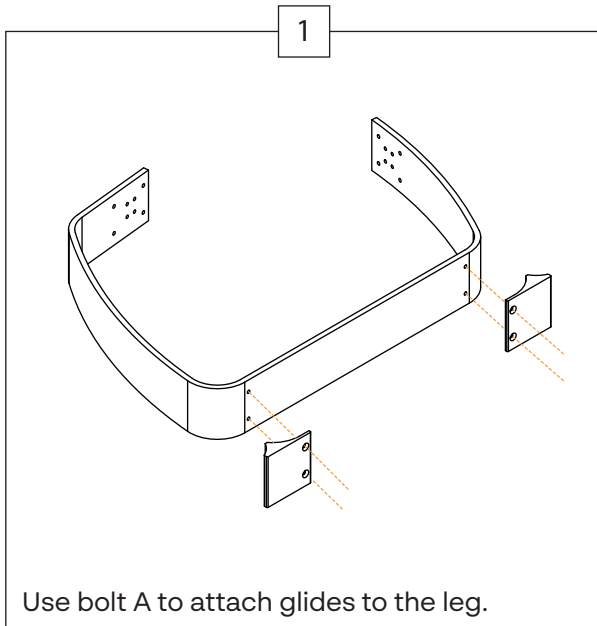


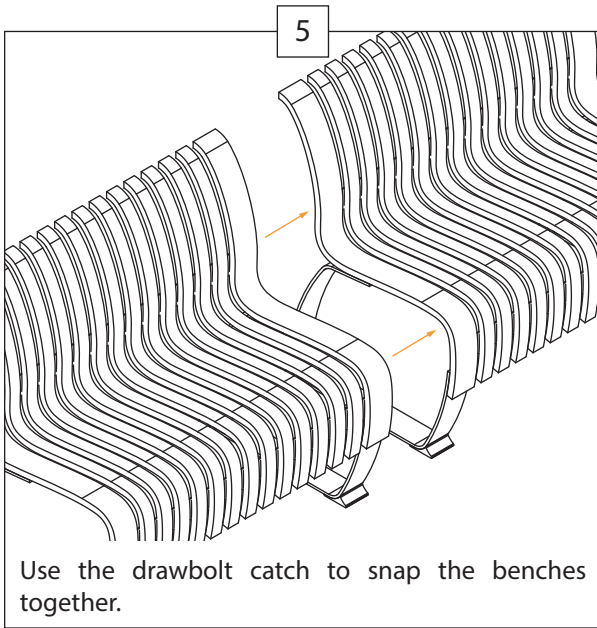
Screw B x16



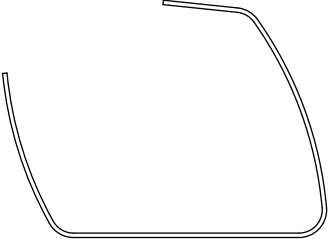
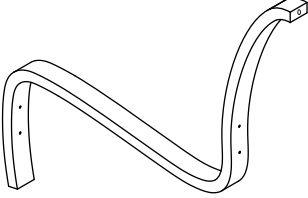
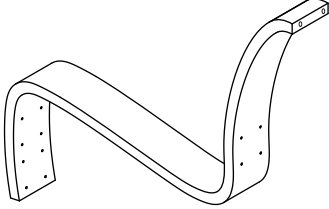
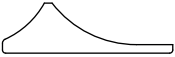

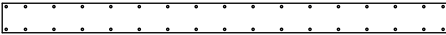





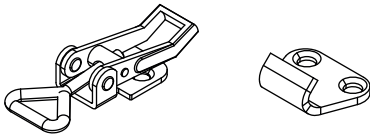
Drawbolt Catch x2

Note:
Due to that the assembly of this bench mostly is done with the ribs upside down we recommend you to use a blanket or similar to prevent damage to the ribs and metal parts.



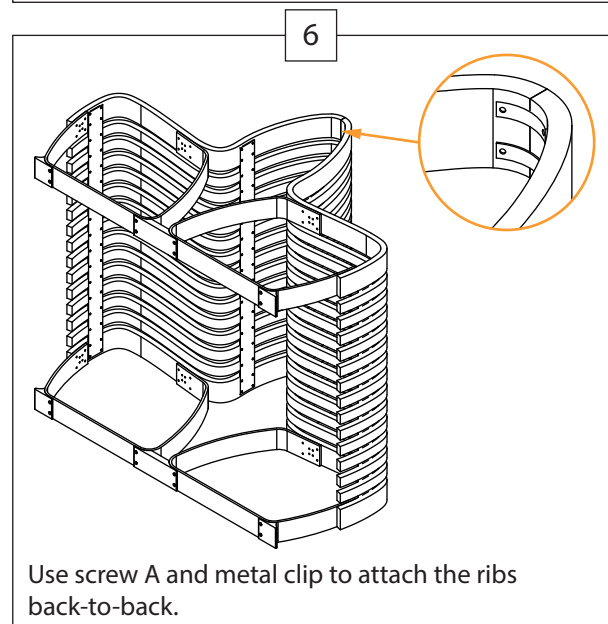
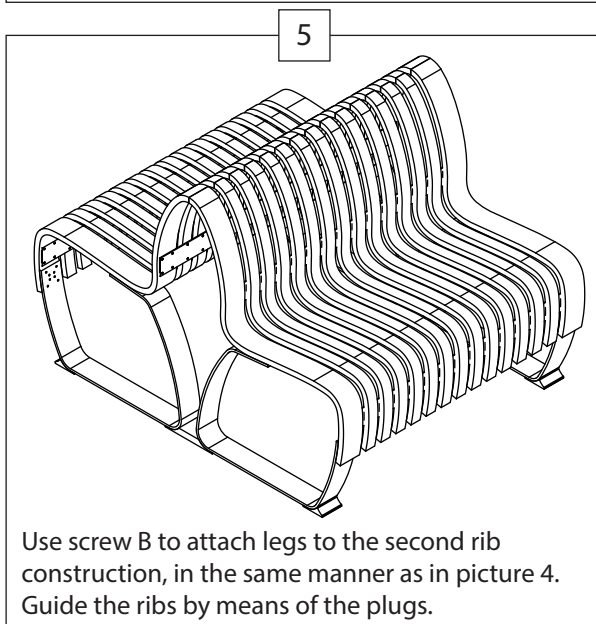
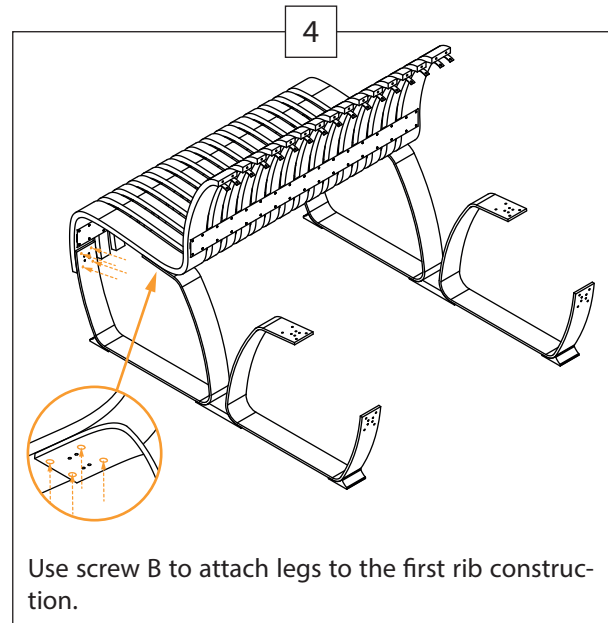
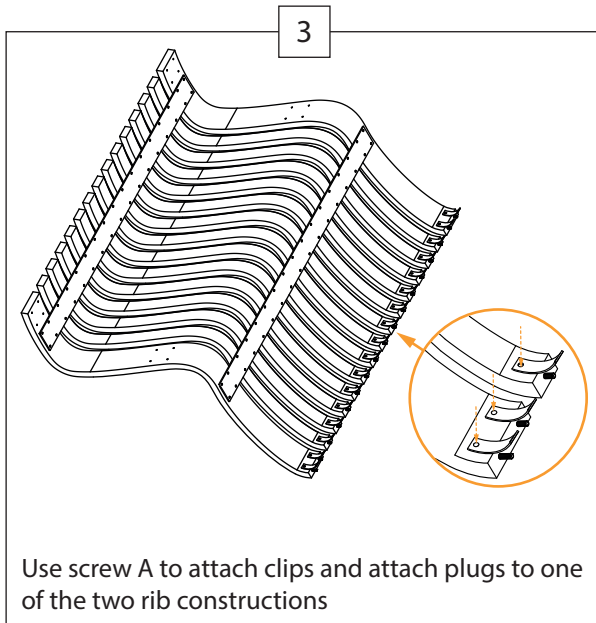
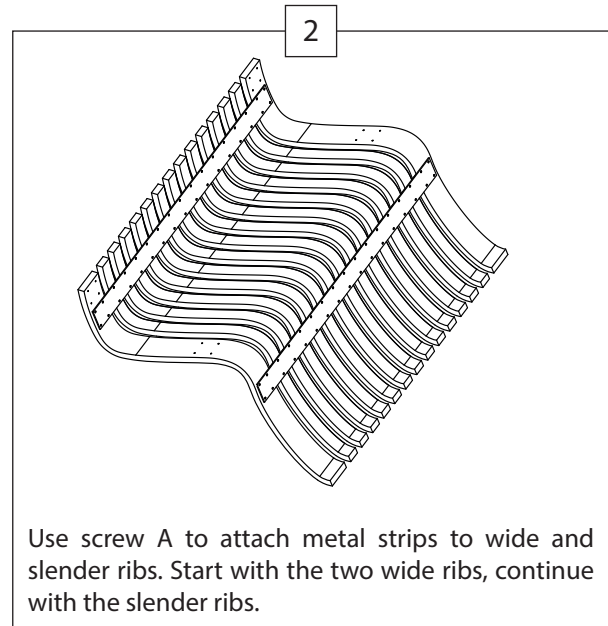
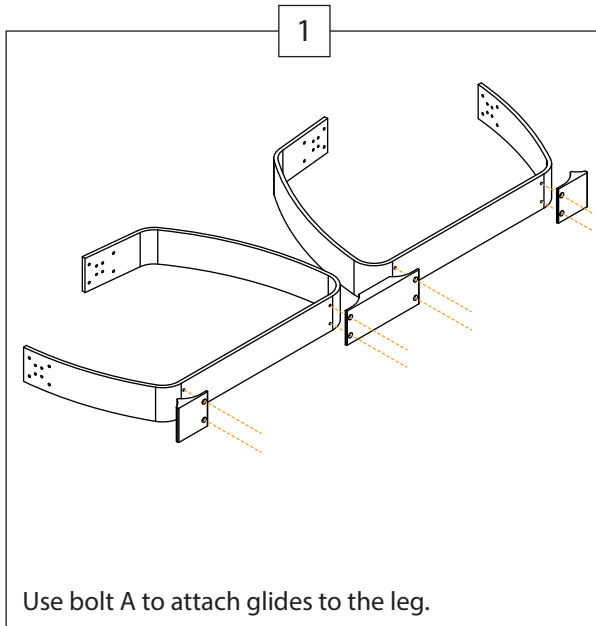




 <p>Nova C Back Leg x4</p>	 <p>Nova C Back Double Slender rib x26</p>	 <p>Nova C Back Wide Double rib x4</p>
 <p>Nova C Glides x4</p>	 <p>Nova C Double Glides x2</p>	<p>Note: If you have a curved bench you will have four metal strips in different lenght.</p>  <p>Nova C Back metal strip x4</p>
 <p>Bolt A x32</p>  <p>Screw A x170</p>  <p>Screw B x32</p>	 <p>Dowel x17</p>  <p>Clips x17</p>	 <p>Drawbolt Catch x4</p>
<p>Note: Due to that the assembly of this bench mostly is done with the ribs upside down we recommend you to use a blanket or similar to prevent damage to the ribs and metal parts.</p>		

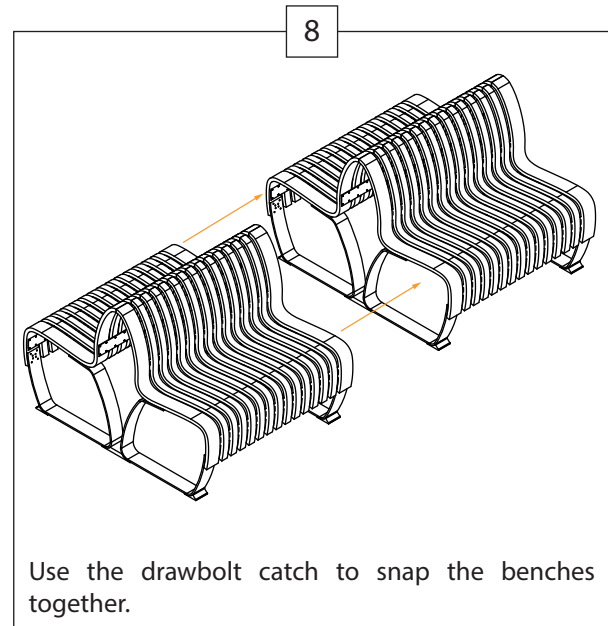
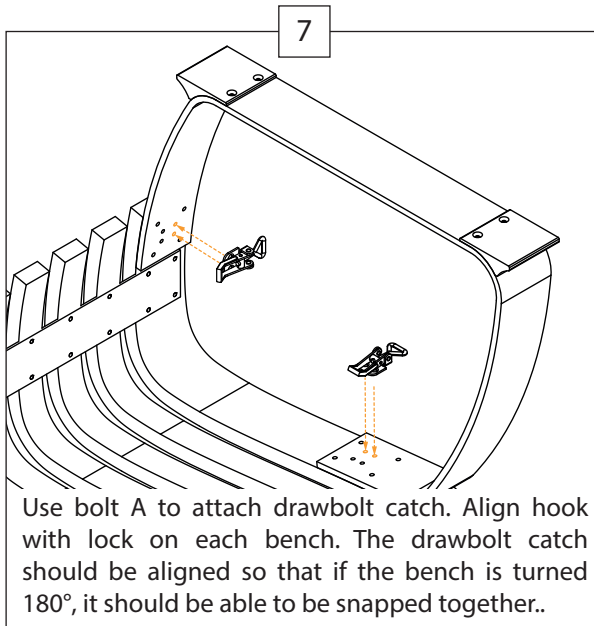


Assembly instructions Nova C Double Back 100



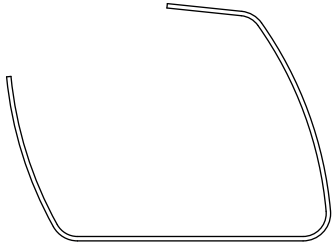
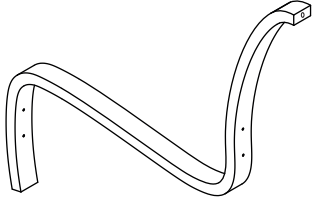
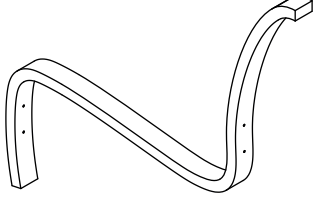
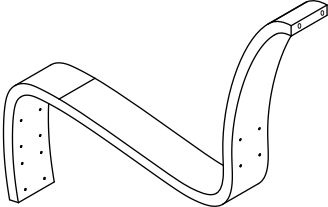
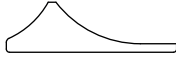

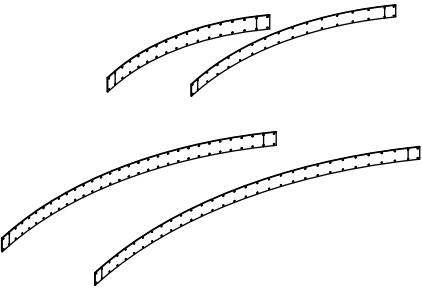








Assembly instructions Nova C Double Back Curved



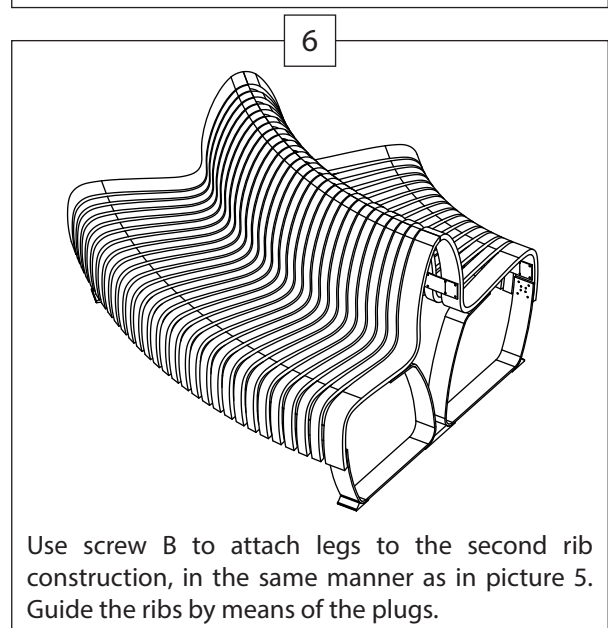
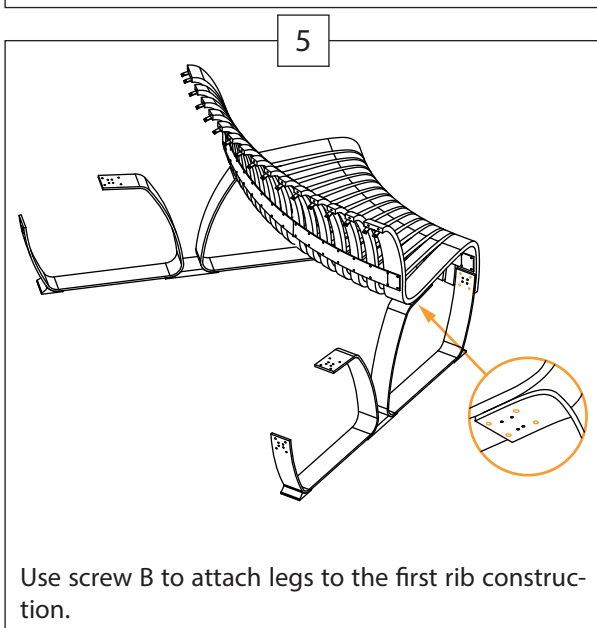
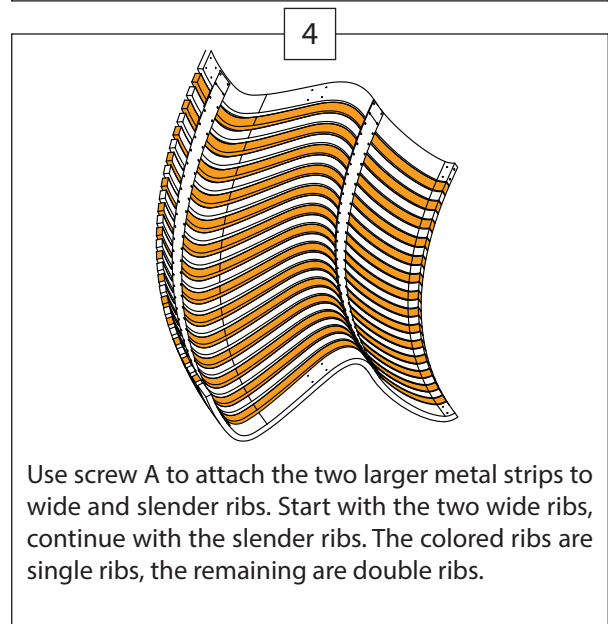
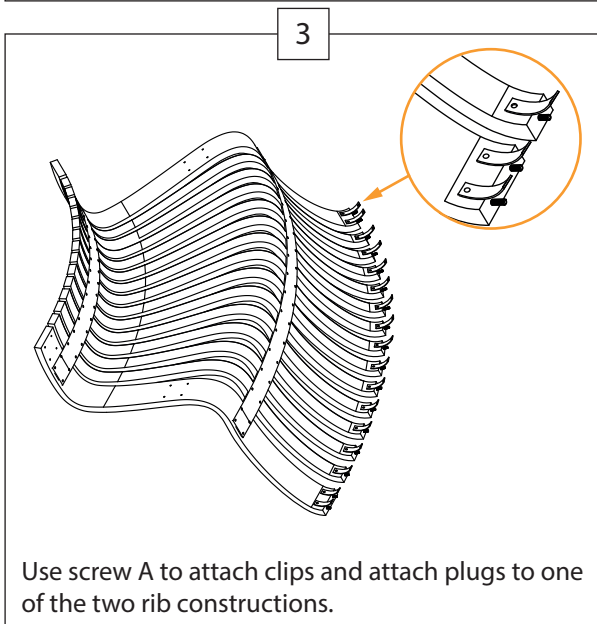
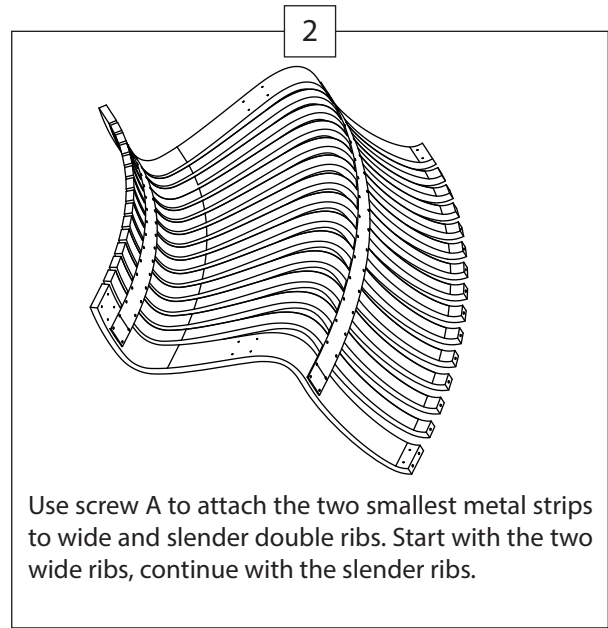
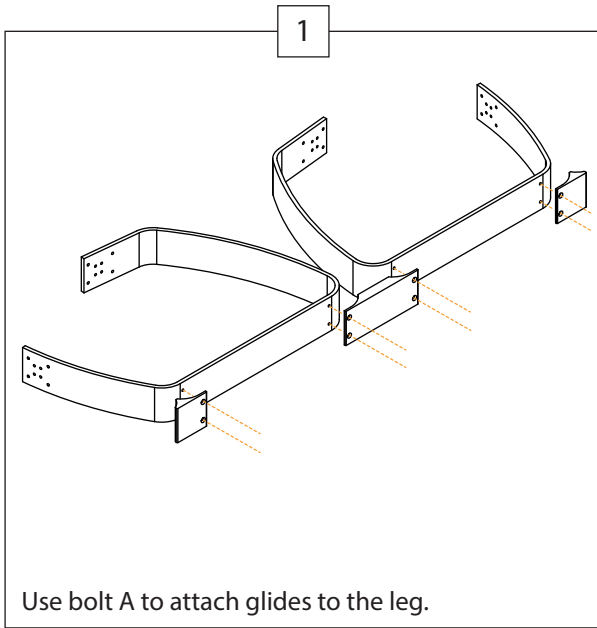


Assembly instructions Nova C Back 90 degree

 <p>Nova C Back Leg x4</p>	 <p>Nova C Back Double Slender rib x26</p>	 <p>Nova C Back Slender rib x14</p>
 <p>Nova C Back Wide Double rib x4</p>	 <p>Nova C Glides x4</p>	 <p>Nova C Double Glides x2</p>
 <p>Nova C Back metal strip x4</p>	 <p>Bolt A x32</p>  <p>Screw A x226</p>  <p>Screw B x32</p>	 <p>Dowel x17</p>  <p>Clips x17</p>
 <p>Drawbolt Catch x4</p>	<p>Note: Due to that the assembly of this bench mostly is done with the ribs upside down we recommend you to use a blanket or similar to prevent damage to the ribs and metal parts.</p>	

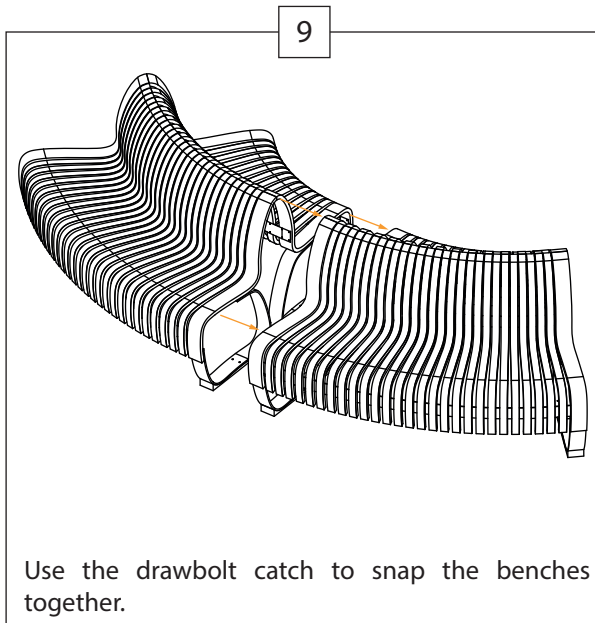
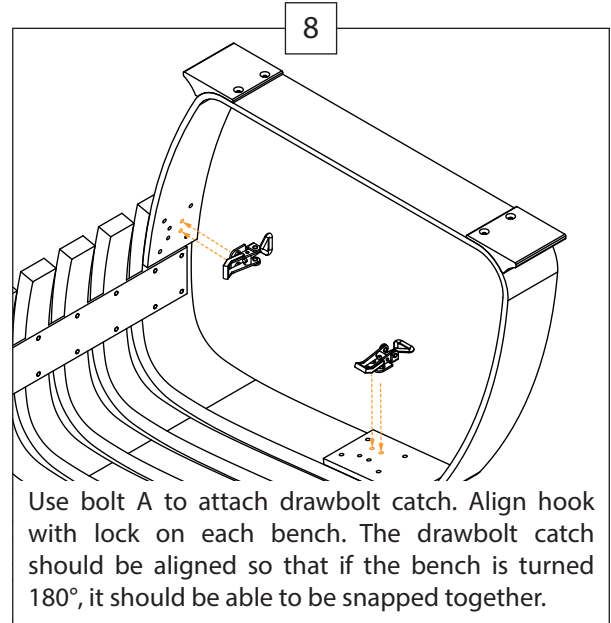
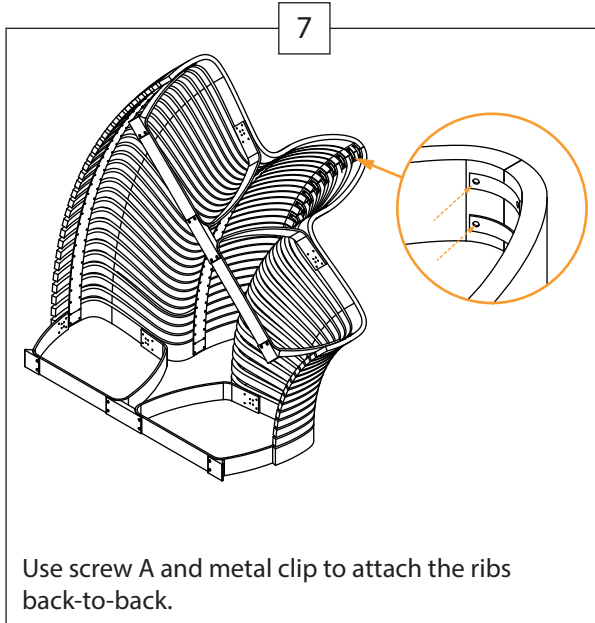


Assembly instructions Nova C Double Back Curved


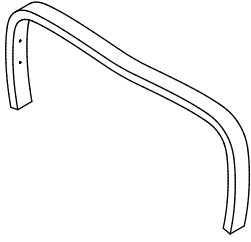
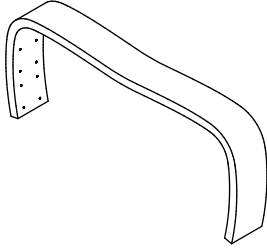
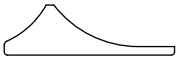
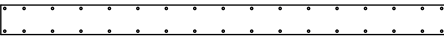

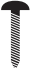
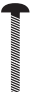



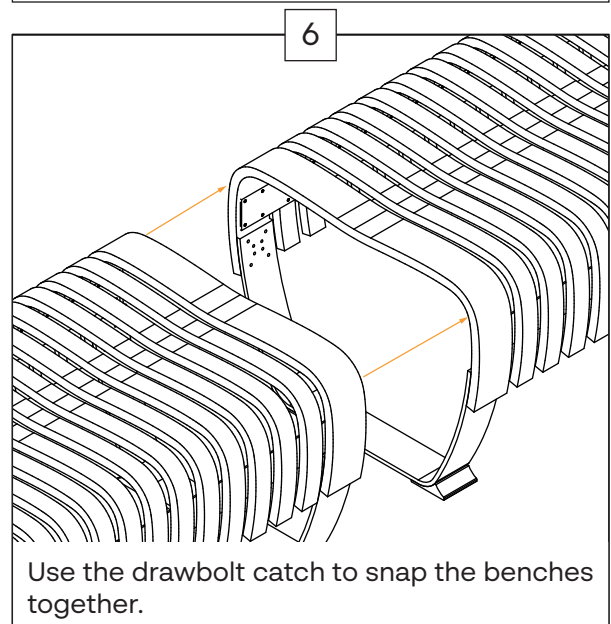
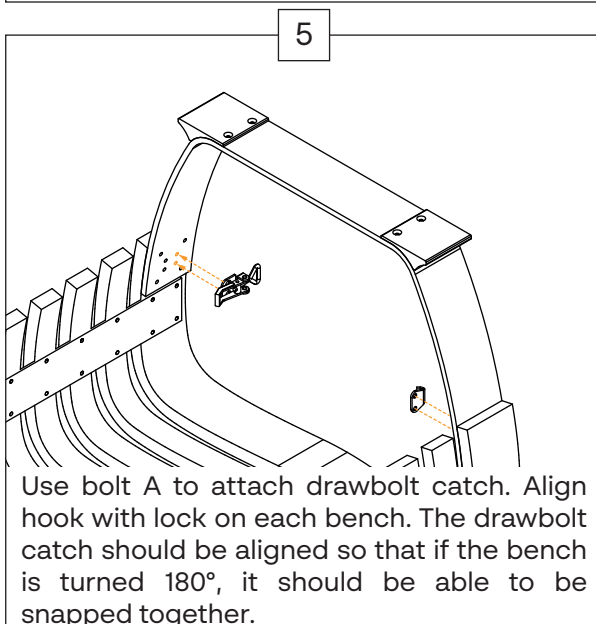
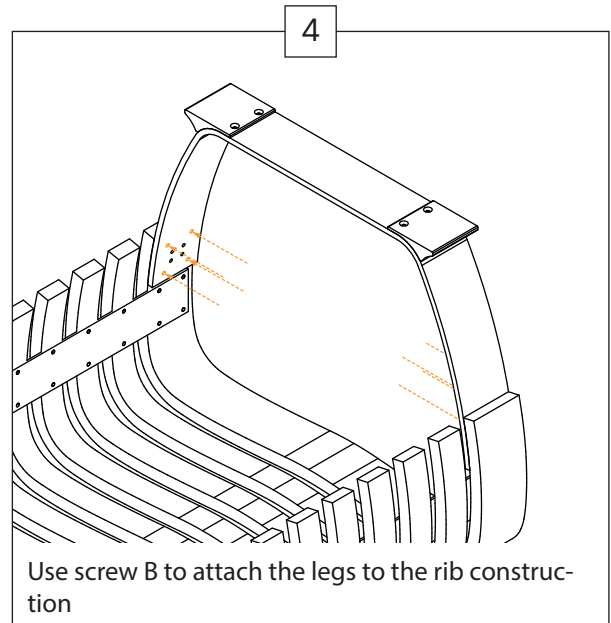
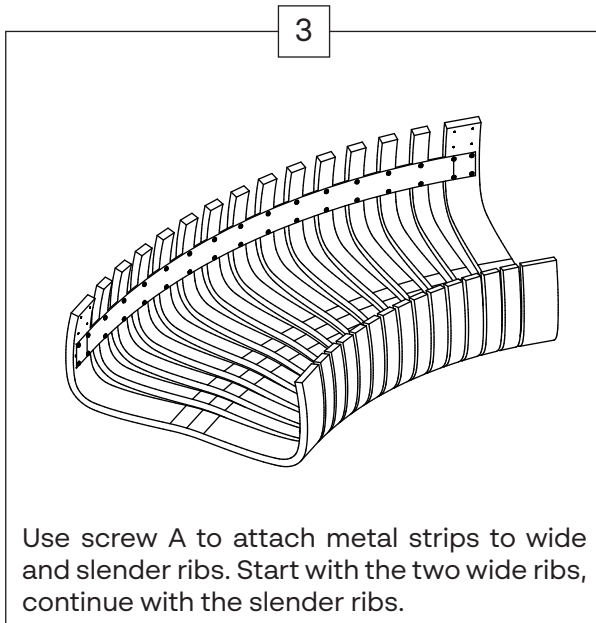
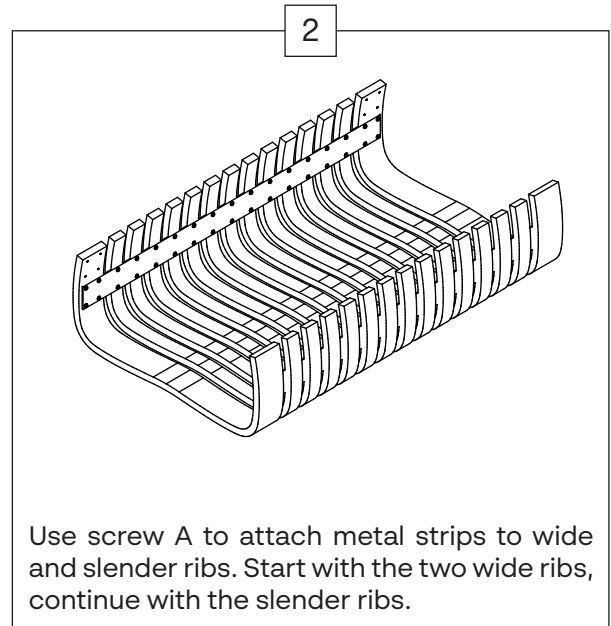
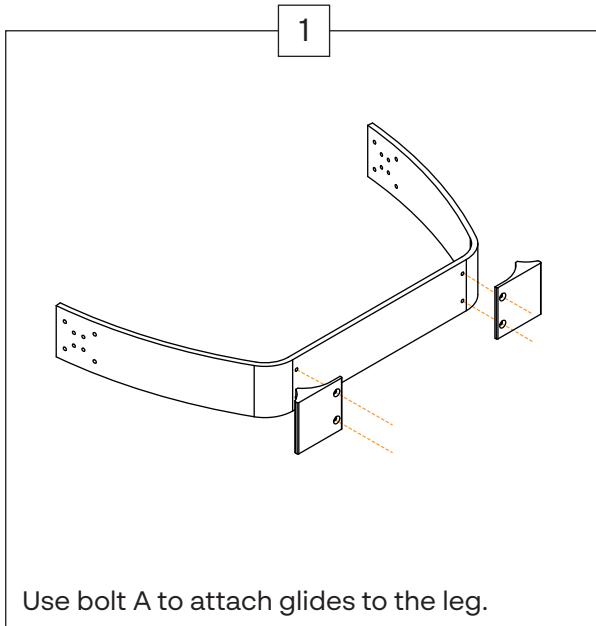


Assembly instructions Nova C Double Back Curved



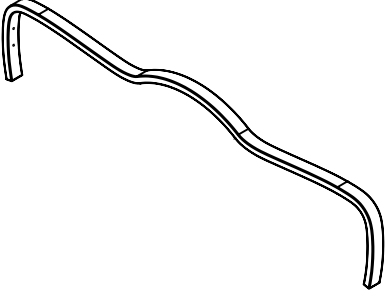
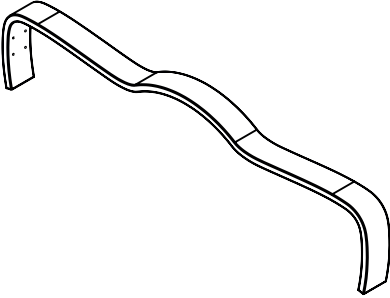
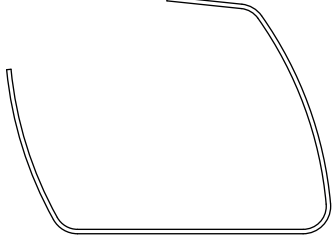
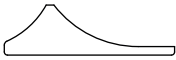


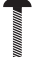

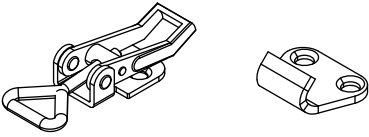
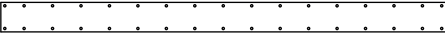
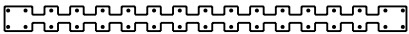


 <p>Nova C BenchLeg x2</p>	 <p>Nova C Bench slender rib x13</p>	 <p>Nova C Bench Wide rib x2</p>
 <p>Nova C Glides x4</p>	<p>Note: If you have a curved bench you will have four metal strips in different length.</p>  <p>Nova C Bench metal strip x2</p>	 <p>Bolt A x16</p>  <p>Screw A x68</p>  <p>Screw B x16</p>
 <p>Drawbolt Catch x2</p>		
<p>Note: Due to that the assembly of this bench mostly is done with the ribs upside down we recommend you to use a blanket or similar to prevent damage to the ribs and metal parts.</p>		

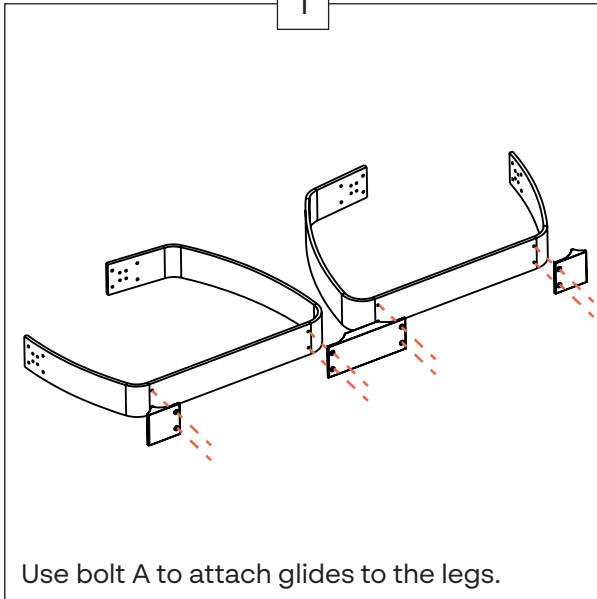




Assembly instructions Nova C Double Bench 100

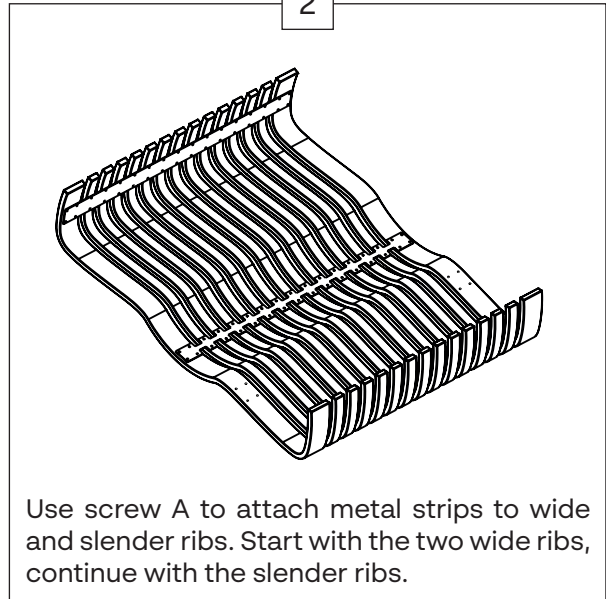
 <p>Nova C Double Bench slender rib x13</p>	 <p>Nova C Double Bench Wide rib x2</p>	 <p>Nova C Back leg x4</p>
 <p>Nova C Glides x4</p>	 <p>Nova C Double Glides x2</p>	 <p>Bolt A : Countersunk Tapite bolt M5x8 x16</p>  <p>Screw A: Roundhead wooden screw 5x20 x102</p>  <p>Screw B: Roundhead wooden screw 5x25 x32</p>
 <p>Drawbolt Catch x4</p>	<p>Note: If you have a curved bench you will have four metal strips in different lenght.</p>  <p>Nova C Double Bench metal strip x2</p>	 <p>Nova C double Bench Mid-S x1</p>
<p>Note: Due to that the assembly of this bench mostly is done with the ribs upside down we recommend you to use a blanket or similar to prevent damage to the ribs and metal parts.</p>		

1



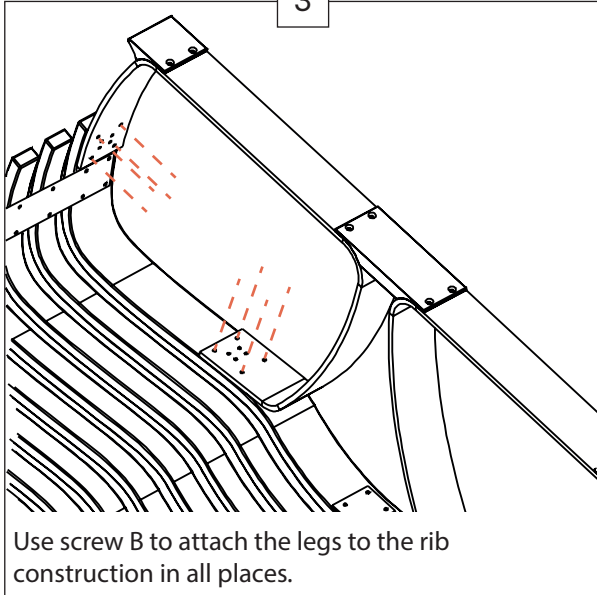
Use bolt A to attach glides to the legs.

2



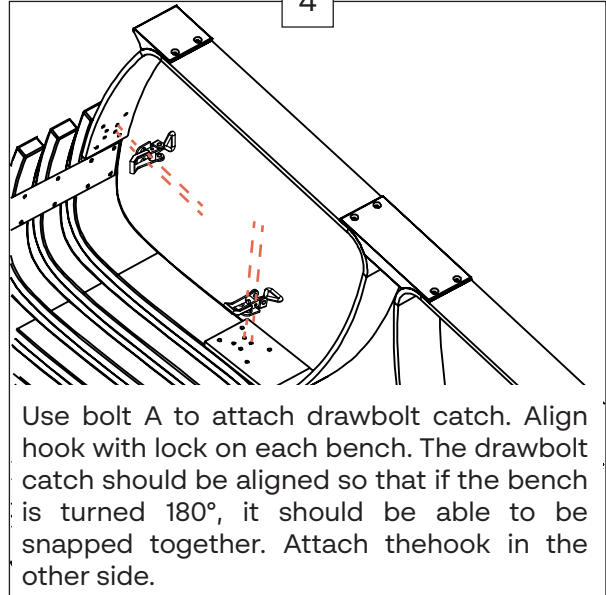
Use screw A to attach metal strips to wide and slender ribs. Start with the two wide ribs, continue with the slender ribs.

3



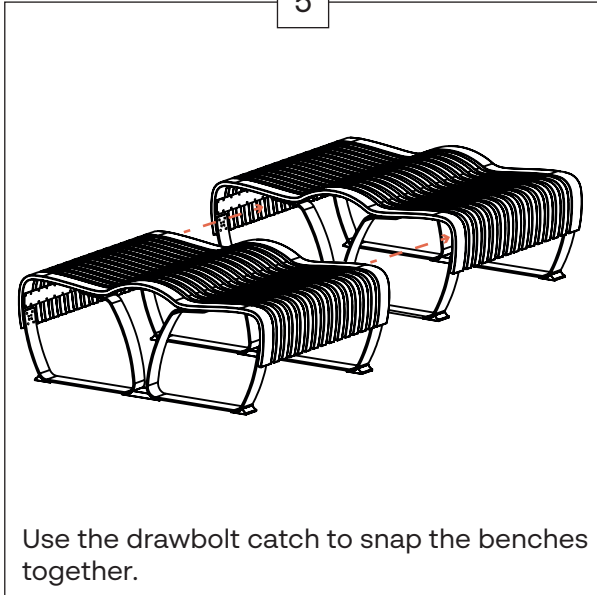
Use screw B to attach the legs to the rib construction in all places.

4



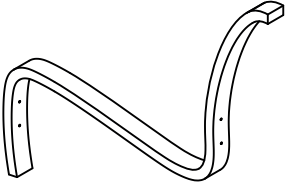
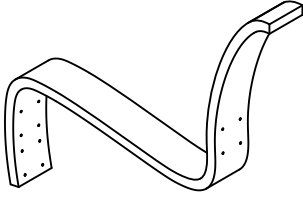
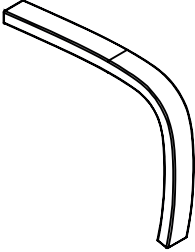
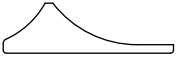
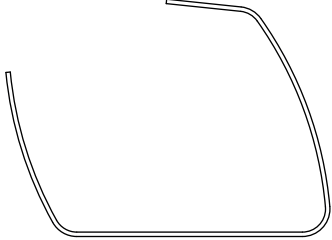


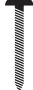

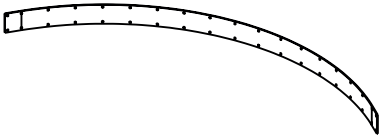

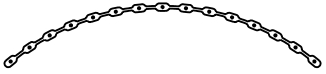
Use bolt A to attach drawbolt catch. Align hook with lock on each bench. The drawbolt catch should be aligned so that if the bench is turned 180°, it should be able to be snapped together. Attach the hook in the other side.

5



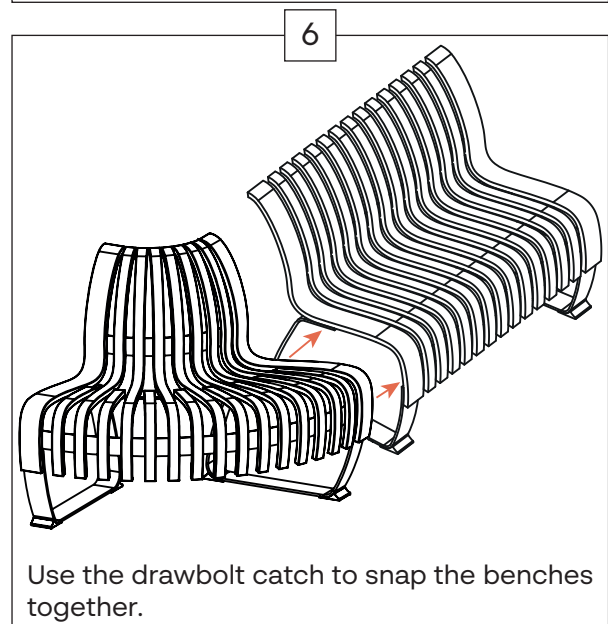
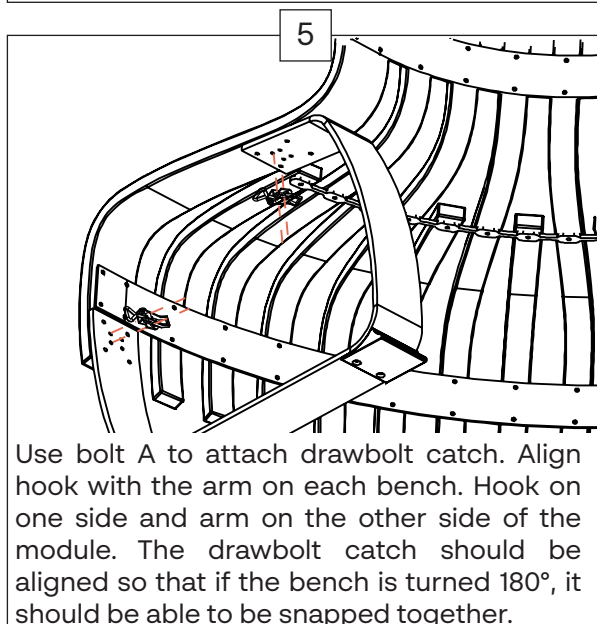
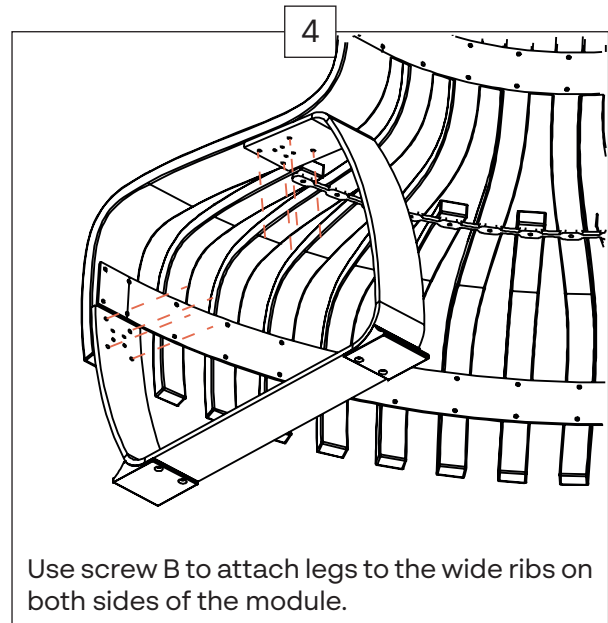
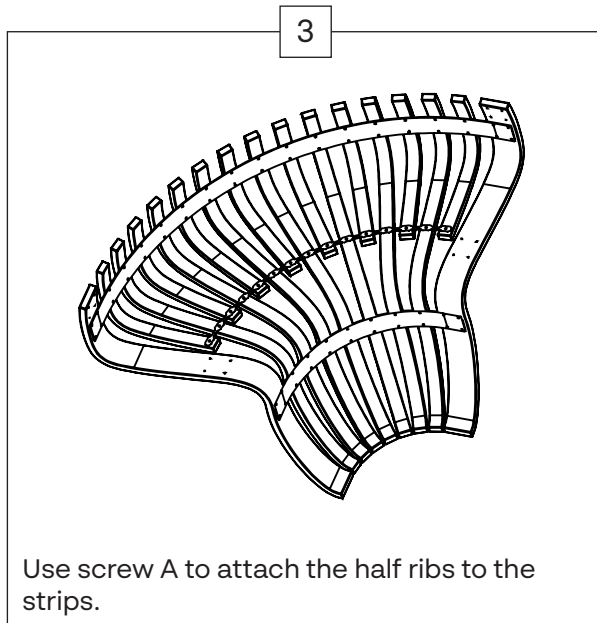
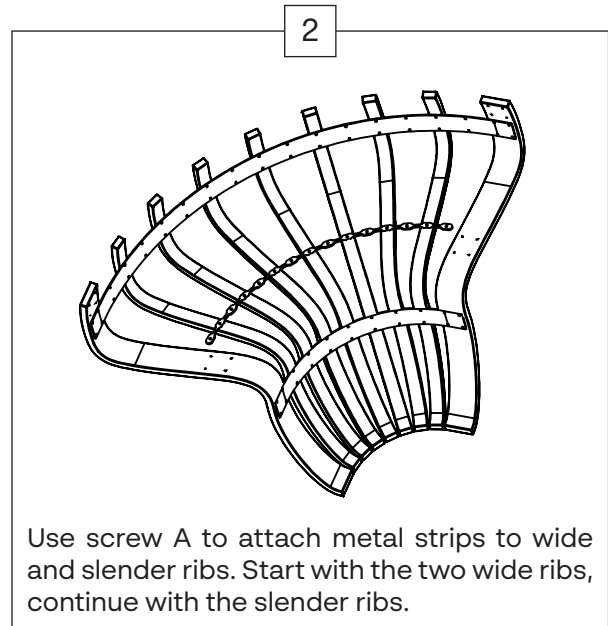
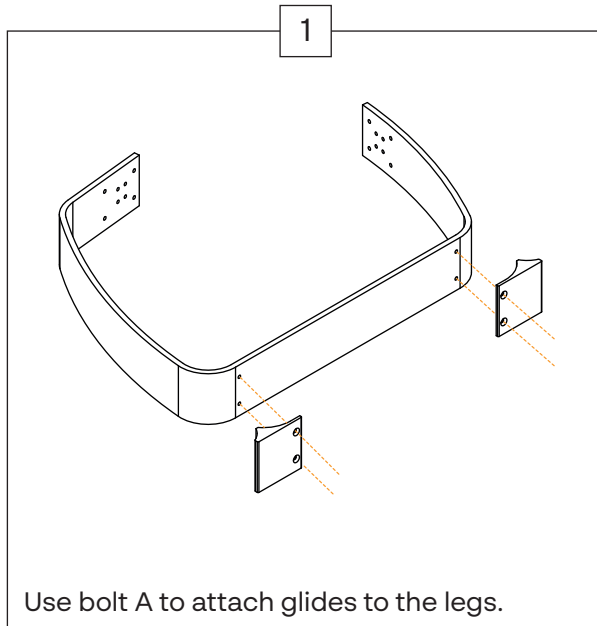
Use the drawbolt catch to snap the benches together.



 <p>Nova C Back Slender rib x7</p>	 <p>Nova C Back Wide Rib x2</p>	 <p>Nova C Back Half Rib Seat x8</p>
 <p>Nova C Glides x4</p>	 <p>Nova C Back leg x2</p>	 <p>Bolt A : Countersunk Taptite bolt M5x8 x12</p>  <p>Screw A: Roundhead wooden screw 5x20 x75</p>  <p>Screw B: Roundhead wooden screw 5x25 x16</p>
 <p>Drawbolt Catch x2</p>	 <p>Nova C Back Convex 90 M x1</p>	 <p>Nova C Back Convex 90 S x1</p>
 <p>Nova C Back Convex 90 Half Strip x1</p>	<p>Note: Due to that the assembly of this bench mostly is done with the ribs upside down we recommend you to use a blanket or similar to prevent damage to the ribs and metal parts.</p> <p>Same assembly applies for both concave and convex 90 degree modules.</p>	



Assembly instructions Nova C Back 90 degree





Assembly instructions Nova C Back 90 degree

