

Ascent Double Modules
Ascent Series



GREEN
FURNITURE
CONCEPT



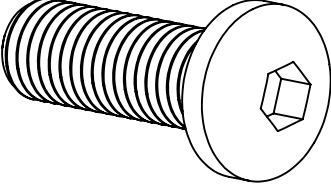
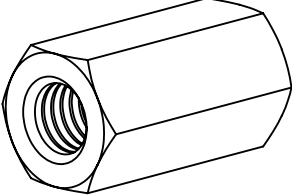
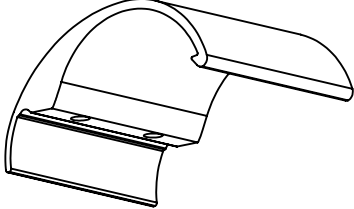
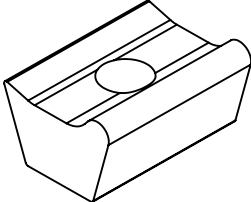
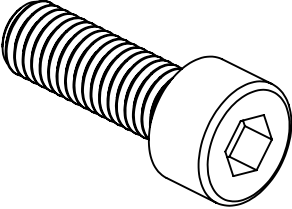
Index

Parts Ascent Series Connecting Double Modules	p3
Assembly instructions Ascent Series Connecting Double Modules	p4
Parts Ascent Series Connecting Single Modules	p5
Assembly instructions Ascent Series Connecting Single Modules	p6
Parts Ascent Series Connecting Double to Single Modules	p7
Assembly instructions Ascent Series Connecting Double to Single Modules	p8-9



Parts

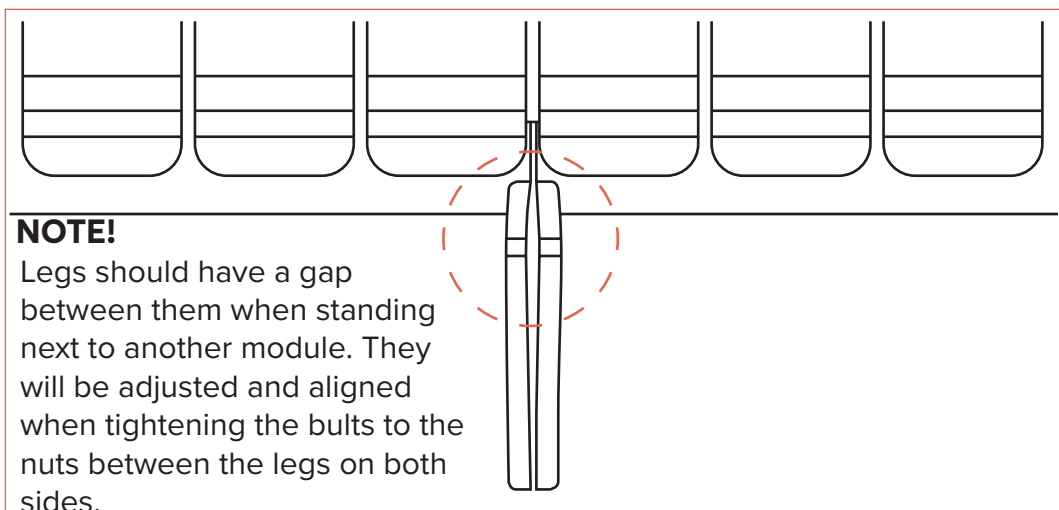
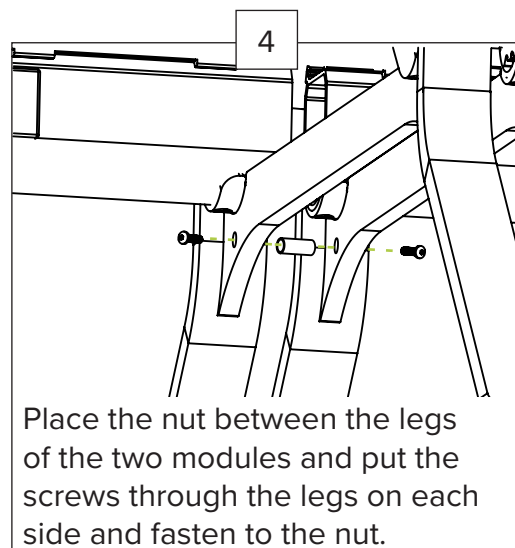
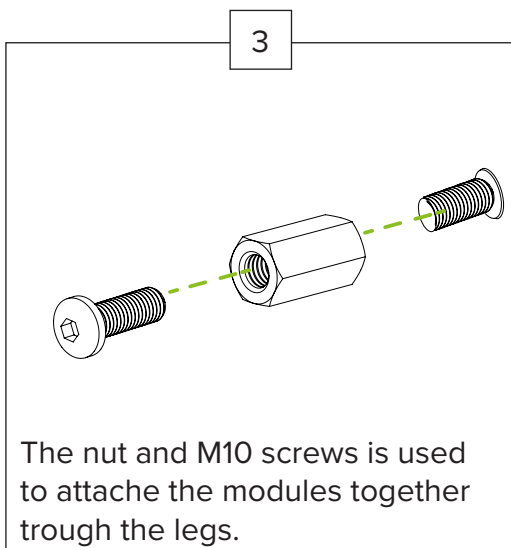
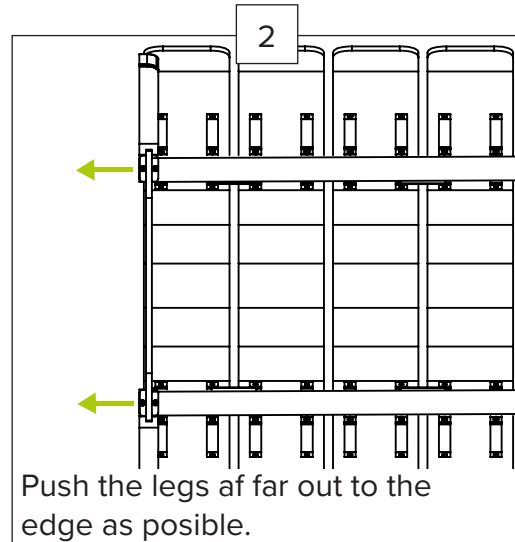
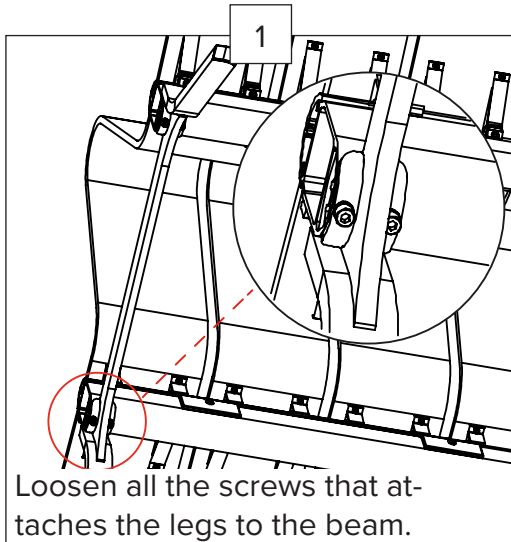
Ascent Series Connecting Double Modules

 <p>Screw M10x30 x4</p>	 <p>Nut M10 x2</p>	 <p>Beam to Beam Bracket x2</p>
 <p>Bracket Clip x4</p>	 <p>Screw M8x25 x4</p>	



Assembly instructions

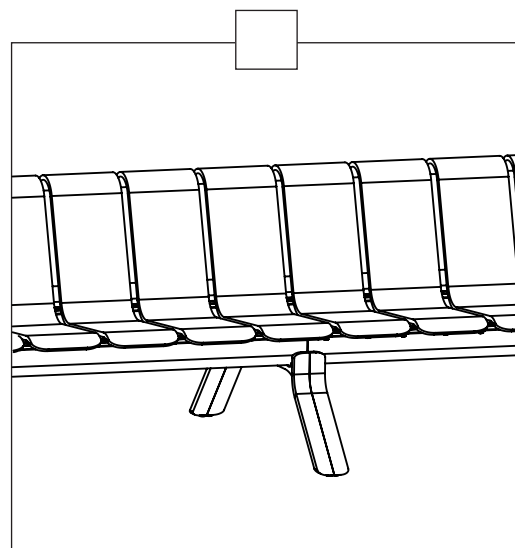
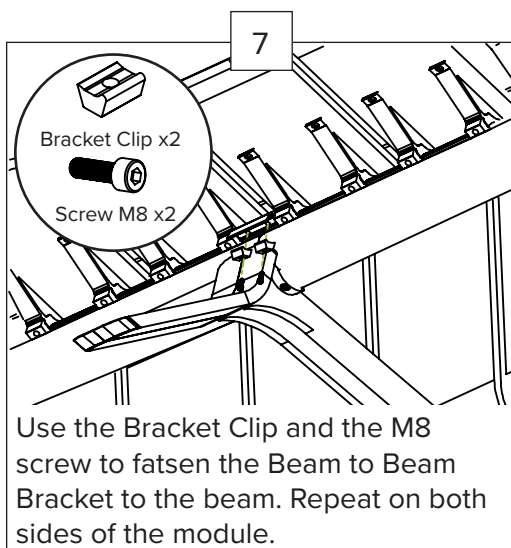
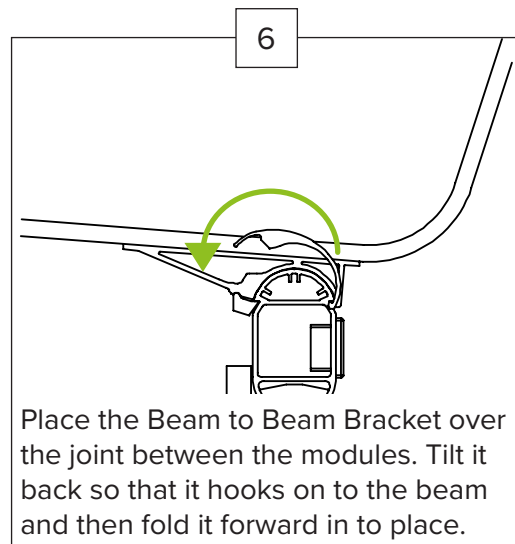
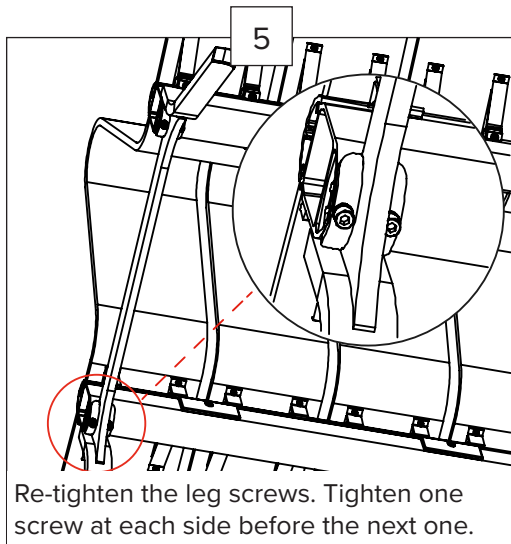
Ascent Series Connecting Double Modules





Assembly instructions

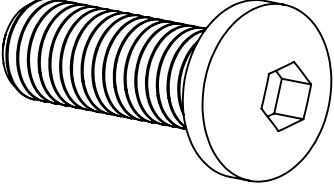
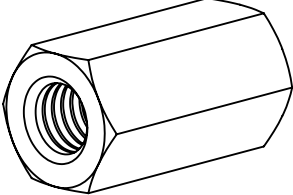
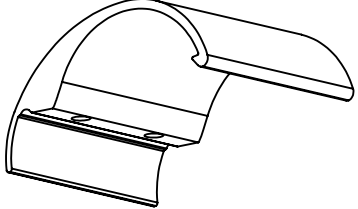
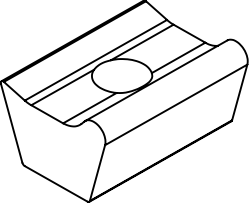
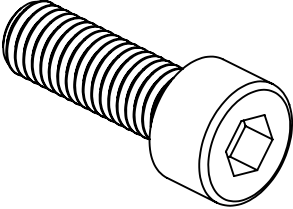
Ascent Series Connecting Double Modules





Parts

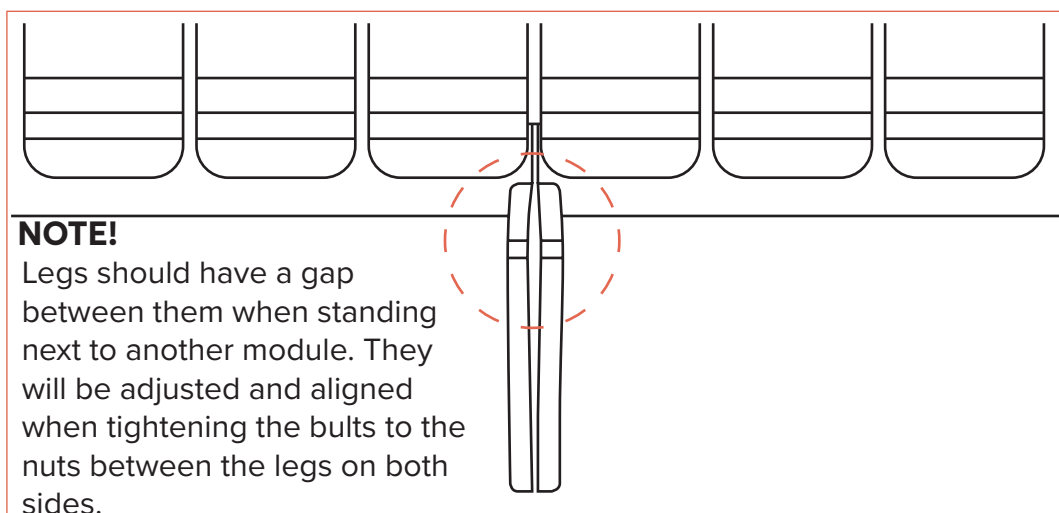
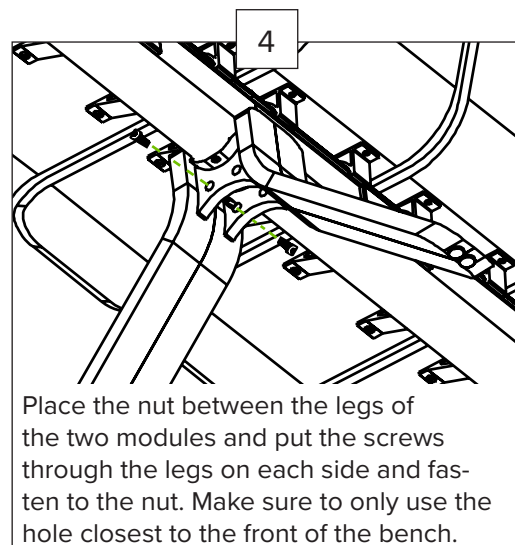
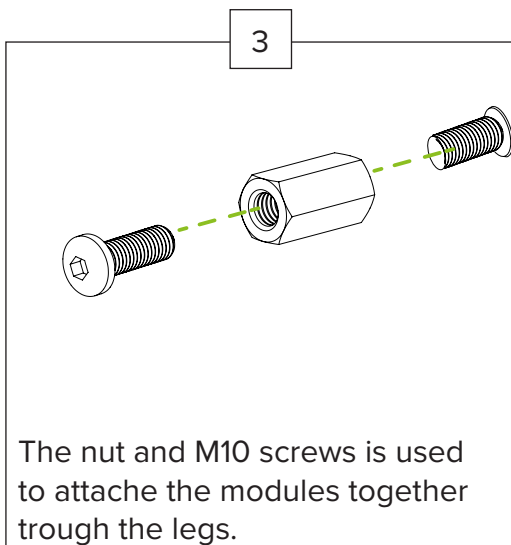
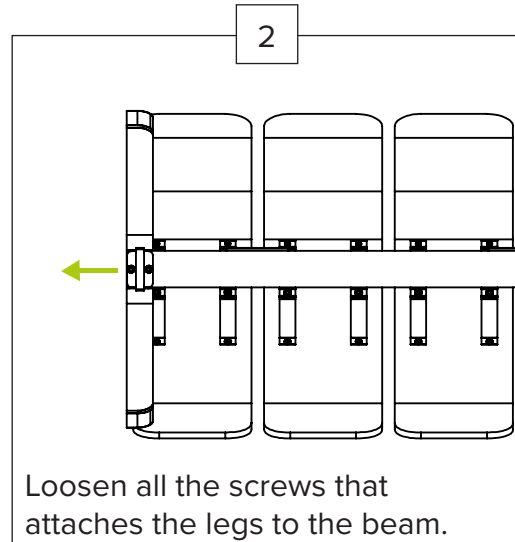
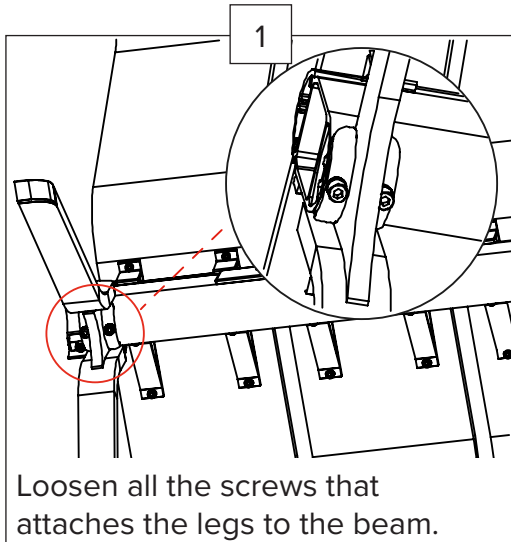
Ascent Series Connecting Single Modules

 <p>Screw M10x30 x2</p>	 <p>Nut M10 x1</p>	 <p>Beam to Beam Bracket x1</p>
 <p>Bracket Clip x2</p>	 <p>Screw M8x25 x2</p>	



Assembly instructions

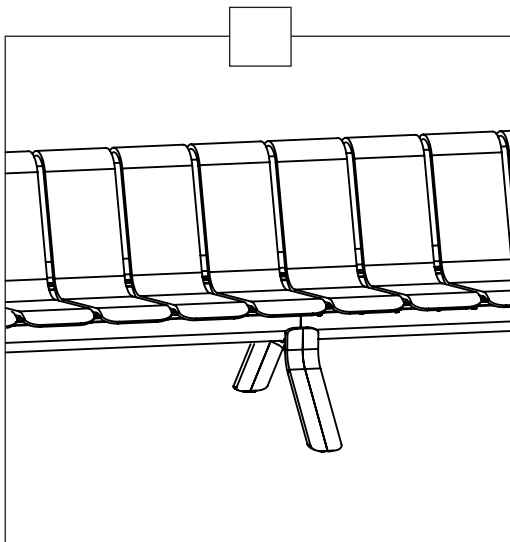
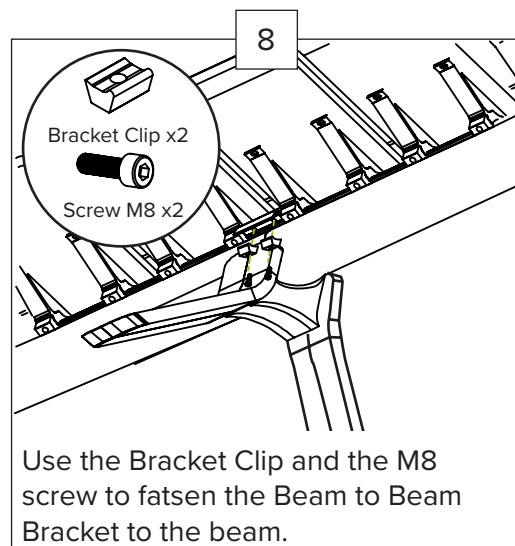
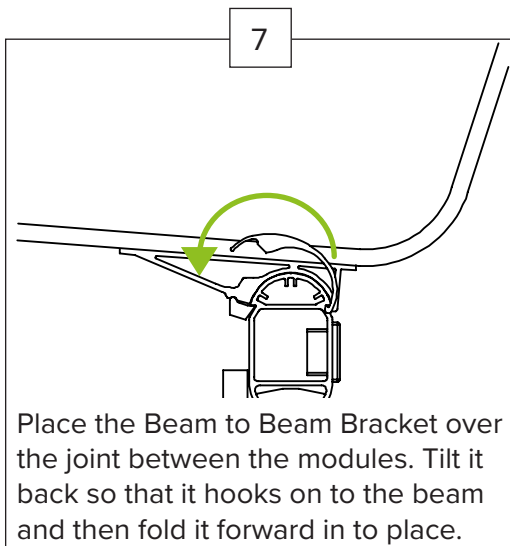
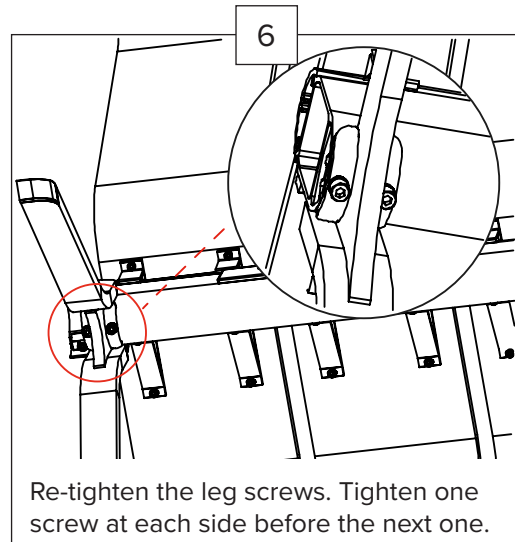
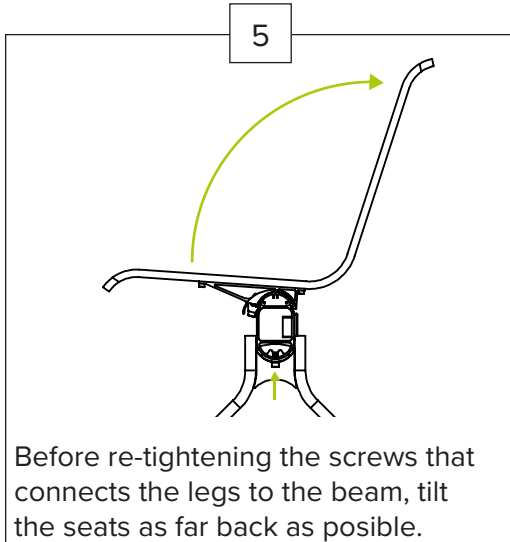
Ascent Series Connecting Single Modules





Assembly instructions

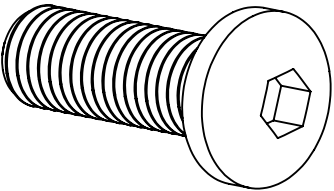
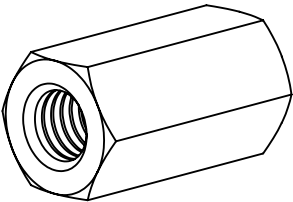
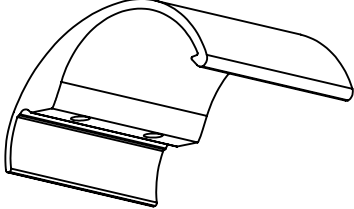
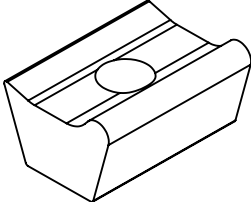
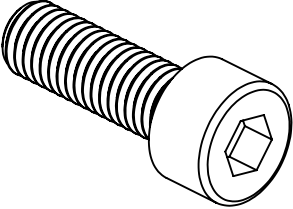
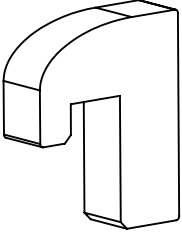
Ascent Series Connecting Single Modules





Parts

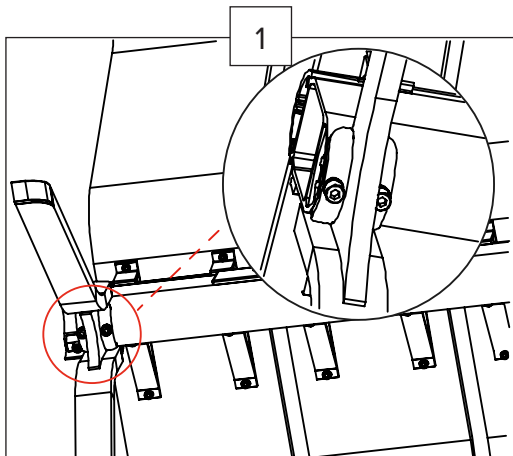
Ascent Series Connecting Double to Single Modules

 <p>Screw M10x30 x2</p>	 <p>Nut M10 x1</p>	 <p>Beam to Beam Bracket x1</p>
 <p>Bracket Clip x2</p>	 <p>Screw M8x25 x2</p>	 <p>Single to Double Leg connection block x1</p>

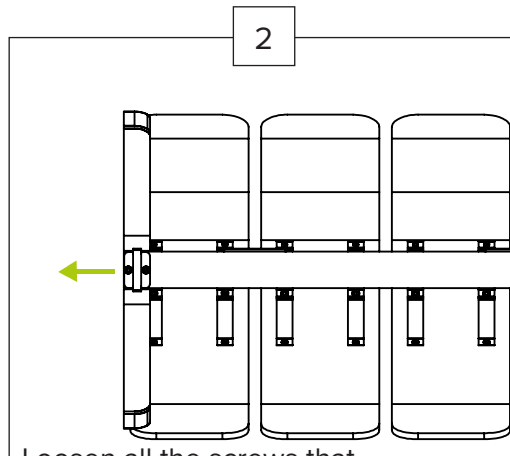


Assembly instructions

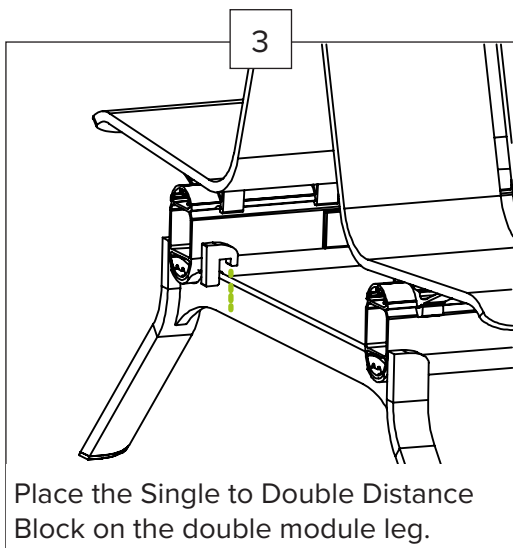
Ascent Series Connecting Double to Single Modules



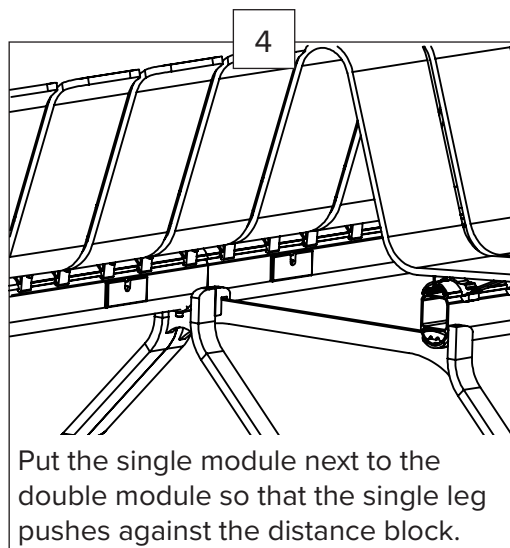
Loosen all the screws that attaches the legs to the beam.



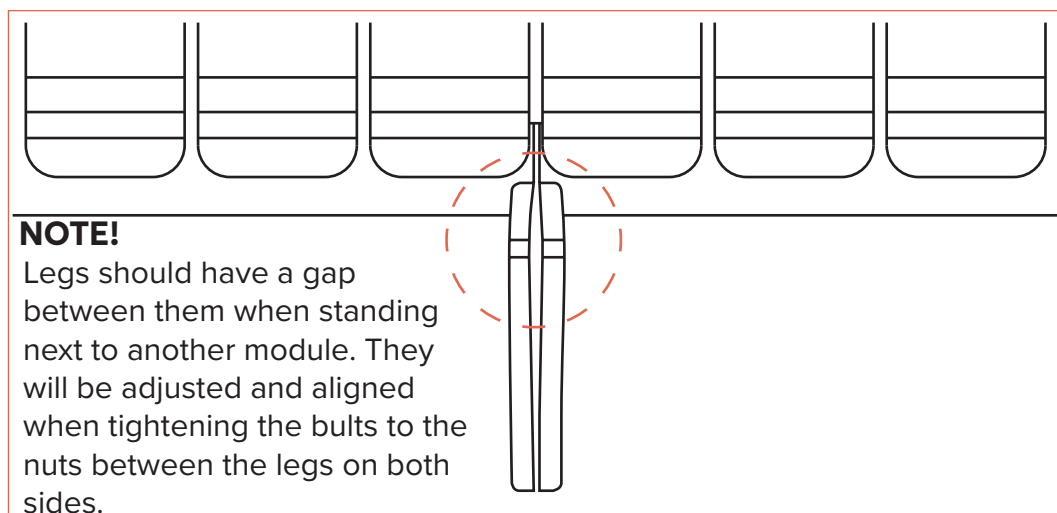
Loosen all the screws that attaches the legs to the beam on both the single and double module.



Place the Single to Double Distance Block on the double module leg.



Put the single module next to the double module so that the single leg pushes against the distance block.



NOTE!

Legs should have a gap between them when standing next to another module. They will be adjusted and aligned when tightening the bolts to the nuts between the legs on both sides.



Assembly instructions

Ascent Series Connecting Double to Single Modules

