

Ascent Series Armrests

Ascent Series



GREEN
FURNITURE
CONCEPT



Index

Modules	p3
Components of Ascent Armrest	p4
Components of Ascent Accessibility Armrest	p5
Recycling of parts	p6
Parts Ascent Series Armrest	p7
Assembly instructions Ascent Series Armrest	p8
Parts Ascent Accessibility Armrest	p9
Assembly instructions Ascent Accessibility Armrest	p10



Ascent Series Add ons

Ascent Armrest

Closed loop metal frame armrest with a form pressed wooden top.



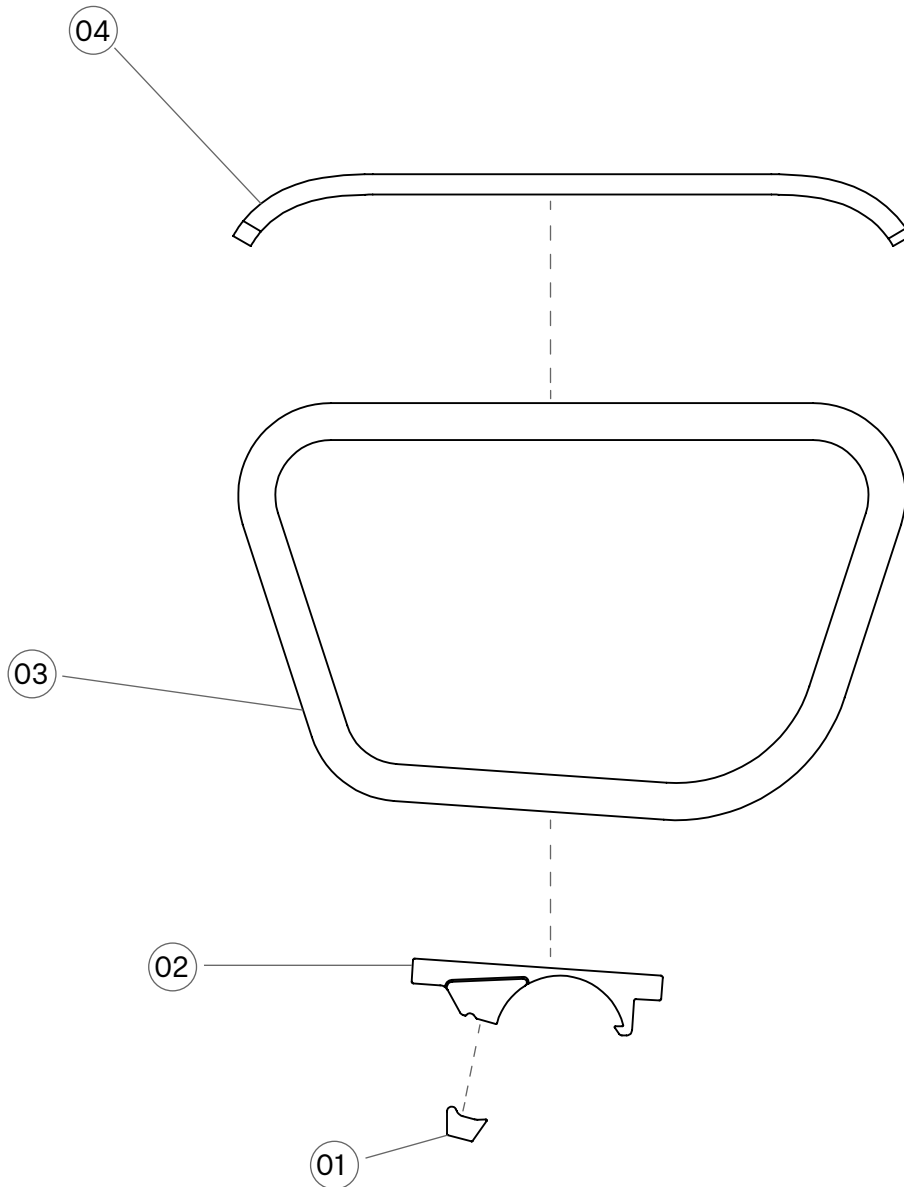
Ascent Accessibility Armrest

Open loop metal frame armrest with a form pressed wooden top.





Components of Ascent Armrest



01. Bracket Clip. Attaches the bracket to the beam with M8 screws.

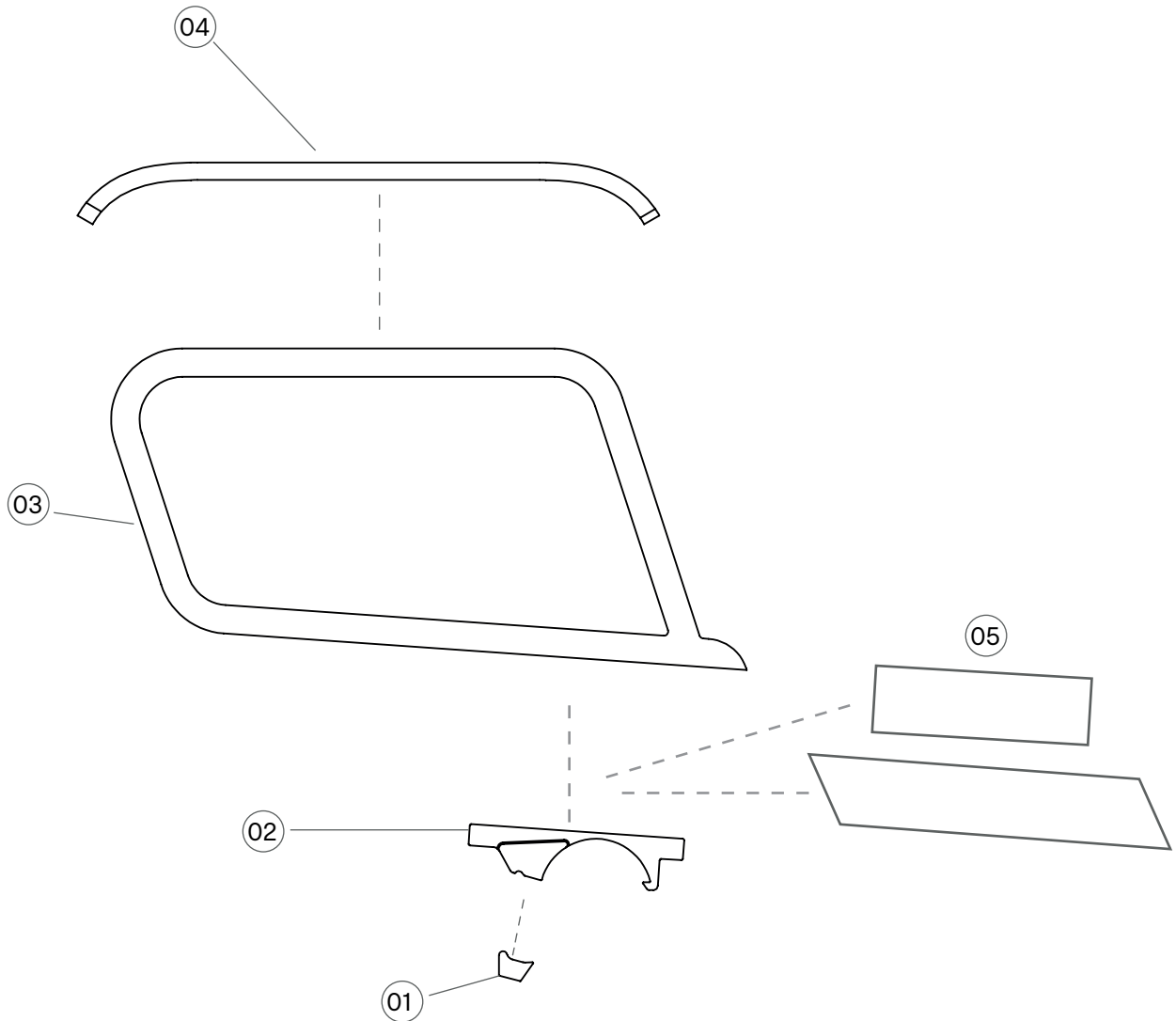
02. Add-On Bracket. Attaches to the armrest frame using M8 screws.

03. Steel Frame.

04. Wood top. Attaches to the steel frame with M6 screws.



Components of Ascent Accessibility Armrest



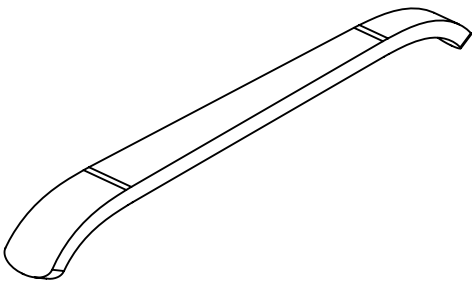
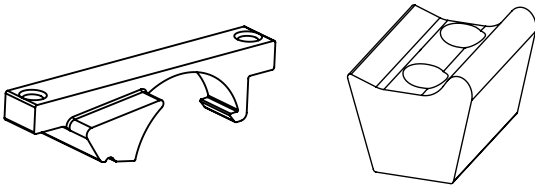
- 01. Bracket Clip. Attaches the bracket to the beam with M8 screws.
- 02. Add-On Bracket. Attaches to the armrest frame using M8 screws.
- 03. Steel Frame.
- 04. Wood top. Attaches to the steel frame with M6 screws.
- 05. Add on spacer or Add on spacer cover it the armrest needs to be elevated.



Recycling of parts

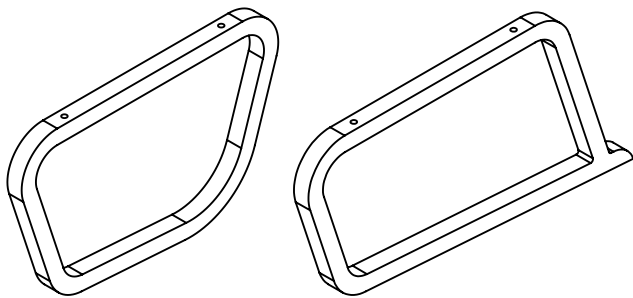
Aluminium parts:

The beam, seatbrackets, butterfly insert and the bracket clip are made from aluminium and should be separated from the product and recycled as aluminium.



Wooden parts:

All versions of the seat slats should be separated from the product and recycled as wood.

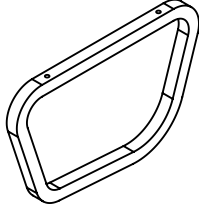
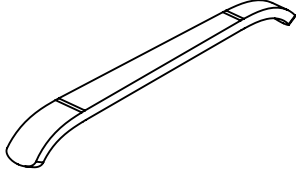
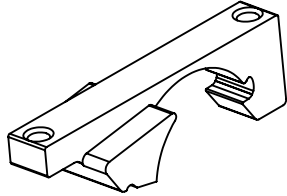
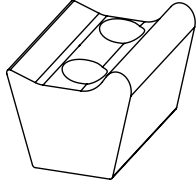




Steel parts:

The legs are made from steel and should therefore be separated and recycled as steel.



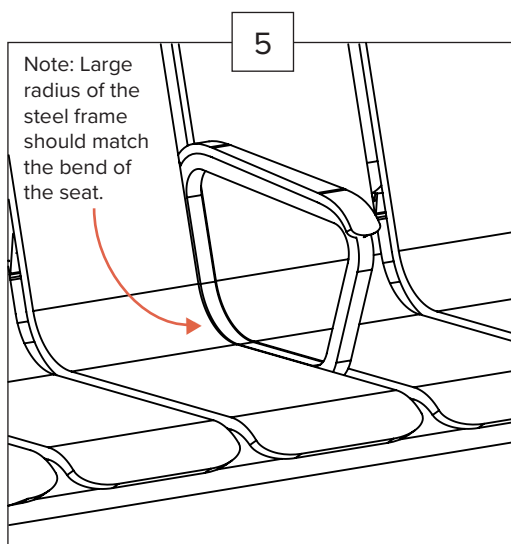
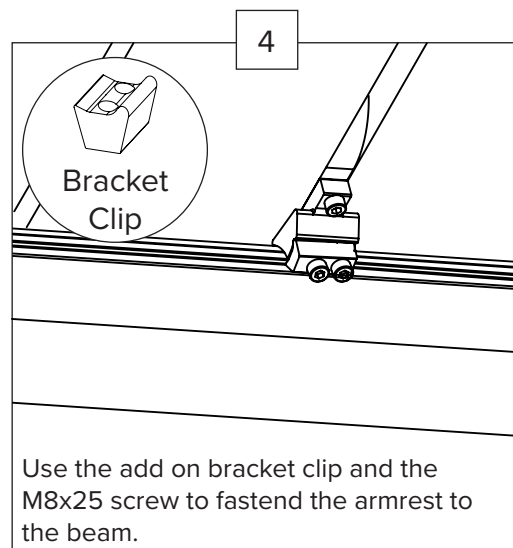
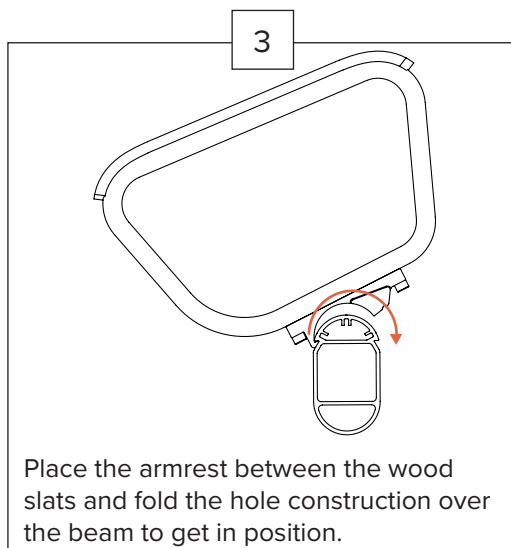
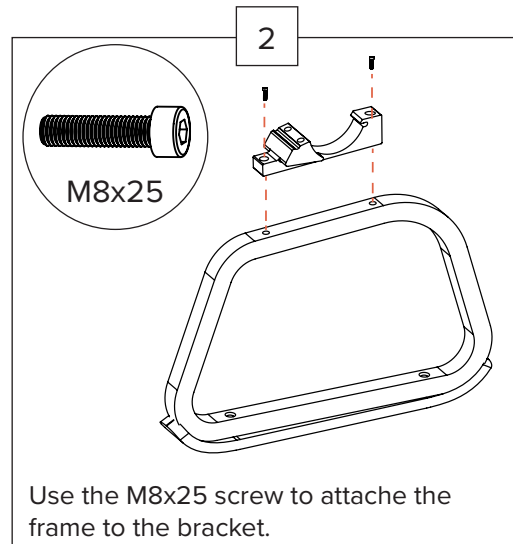
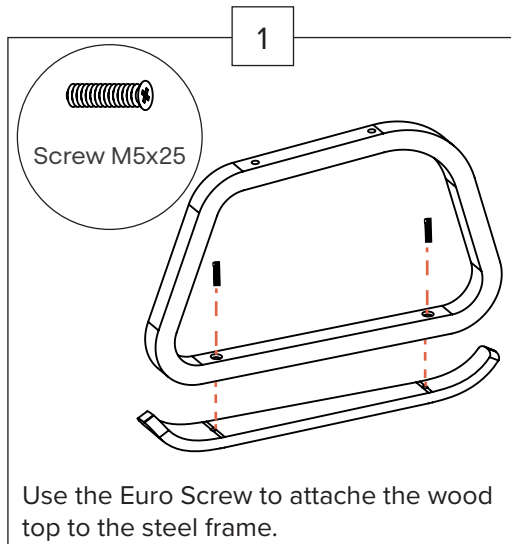
Parts
Ascent Armrest

 <p>Stadium_Armrest1_Frame x1</p>	 <p>Stadium_Armrest1_Top x1</p>	 <p>Stadium_Addon_Braket1 x1</p>
 <p>Stadium_Bracket_Clip_45mm_Wide x1</p>	 <p>Screw M5x25 Countersunk x2</p>	 <p>Screw M8x25 ISO4762 Class8.8 FZB Tuflock Grey x4</p>



Assembly instructions

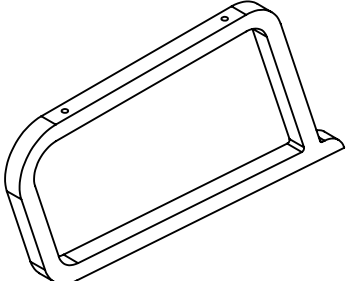
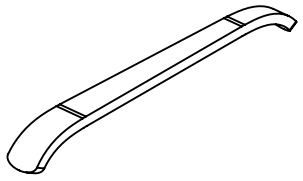
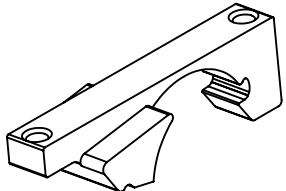
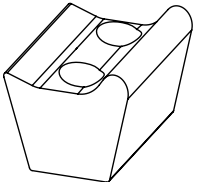

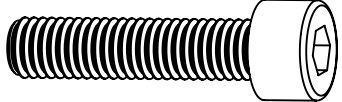
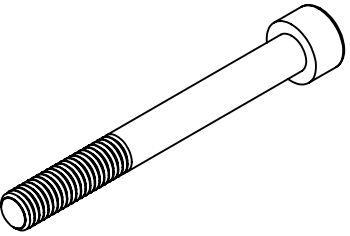
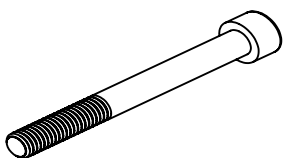
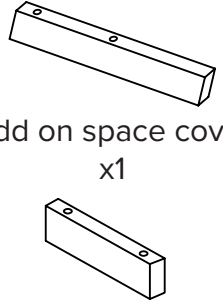
Ascent Armrest





Parts

Ascent Accessibility Armrest

 <p>Stadium_Armrest1_Frame x1</p>	 <p>Stadium_Armrest1_Top x1</p>	 <p>Stadium_Addon_Braket1 x1</p>
 <p>Stadium_Bracket_Clip_45mm_Wide x1</p>	 <p>Countersunk Screw M5x25mm x2</p>	 <p>Screw M8x25 x3</p>
 <p>Screw M8x100 x1</p>	 <p>Screw M8x75 x2</p>	 <p>Add on space cover x1</p> <p>Add on spacer x1</p>

NOTE: Add on space cover or add on spacer is only included for elevated versions of the accessibility armrest. The screw M8x75 is for mounting of the spacers so these are also only included in the elevated versions.



Assembly instructions

Ascent Accessibility Armrest

