



Accessories Planter

Planters are in line with the Green Furniture seating. Can serve as corners, connectors dividers, and turning joints in a bench formation. Seamless and modular, and with the curvature of choice, just like the seating. The solid metal accessories are designed with the Green Furniture Concept seating series Nova C and Ascent in mind and work very well as stand-alone products.

Warranty

5 year warranty. At the end of the lifecycle, all parts can be separated to material level and recycled.

Sustainability Information

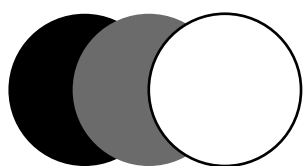
- Metal parts: powder coating with zero chemicals on the SIN-list
- Swedish production, following strict regulations on human rights, work environment, and anti-corruption
- The products need minimum maintenance
- At the end of their life, the products can be easily recycled. None needs to be disassembled

Variations

- Planter Straight
- Planter Curved
- Planter Square
- Planter Slice

Materials & Finishes

The dividers are made of steel and powder coated. The colours have zero chemicals on the SIN-list. We can provide almost any RAL colour for the metal parts.



Standard Colours

Accessories

Planter

Maintenance & Cleanability

The maintenance for metal parts only consists of cleaning. The cleaning can easily be done by whipping surfaces of with water and a cloth.

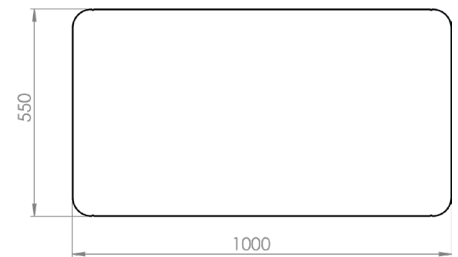
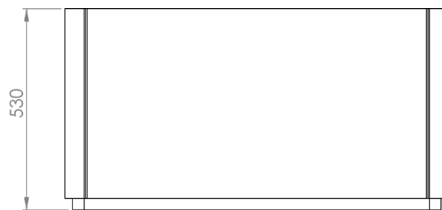
Sizes & Measurements

The Planter comes in different sizes.

Name: Planter Straight

Article Number: A01B_6

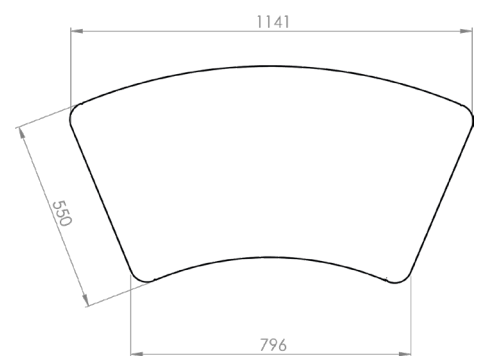
Weight: 36 kg



Name: Planter Curved

Article Number: A01B_7

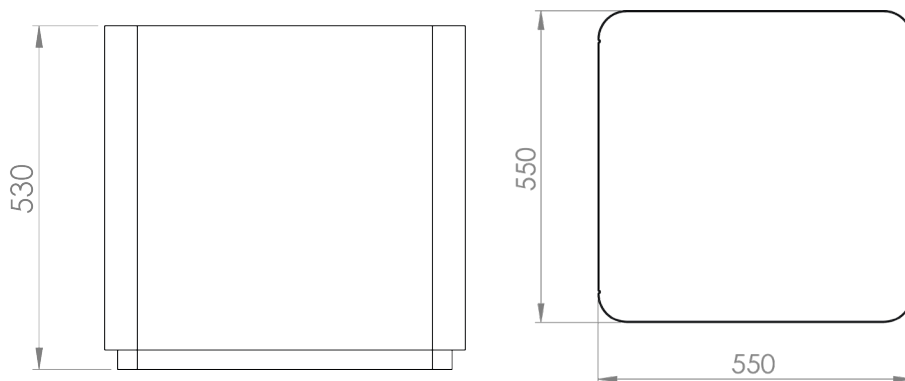
Weight: 43 kg



Name: Planter Square

Article Number: A01B_5

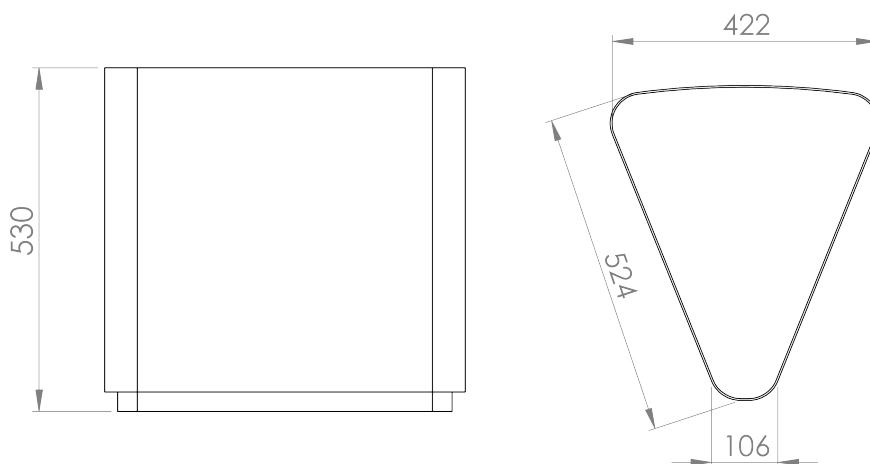
Weight: 25 kg



Name: Planter Slice

Article Number: A01B_8

Weight: 16 kg



**GREEN
FURNITURE
CONCEPT**

GLOBAL

Carlsgatan 3
211 20 Malmö, Sweden
+46 (0)40 600 93 30

AMERICAS

15 Main St #244
Watertown MA, 02472 USA
Toll Free: 1 (877) 582-8664