

Ascent Assembly on site
Ascent Series



GREEN
FURNITURE
CONCEPT



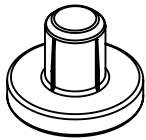
Index

Parts Assembly of Legs	p3
Assembly instructions Assembly of Legs	p4
Parts Ascent Series Connecting Double Modules	p5
Assembly instructions Ascent Series Connecting Double Modules	p6
Parts Ascent Series Connecting Single Modules	p7
Assembly instructions Ascent Series Connecting Single Modules	p8
Parts Ascent Series Armrest	p9
Assembly instructions Ascent Series Armrest	p10
Parts Ascent Series Table	p11
Assembly instructions Ascent Series Table	p12

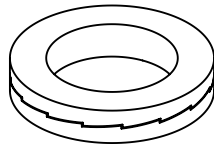


Parts

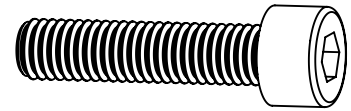
Ascent Series Leg Assembly



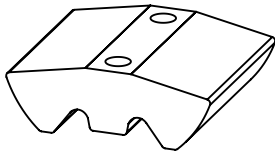
Glide



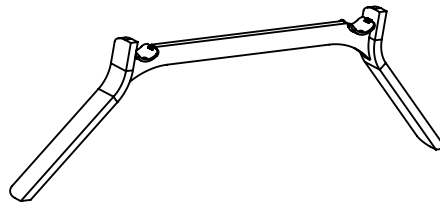
Washer 8.7x13.5x2.5



Screw M8x35



Butterfly insert

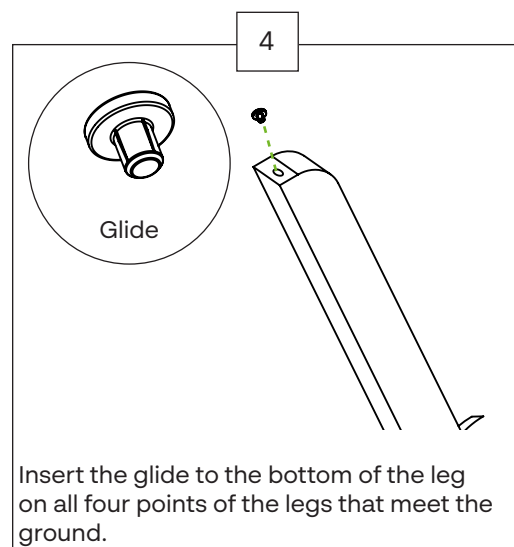
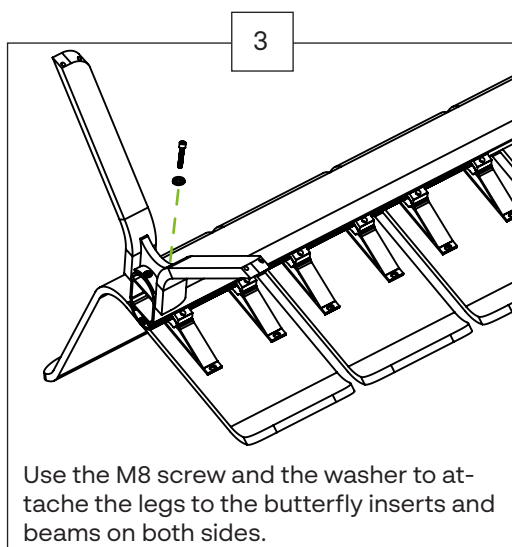
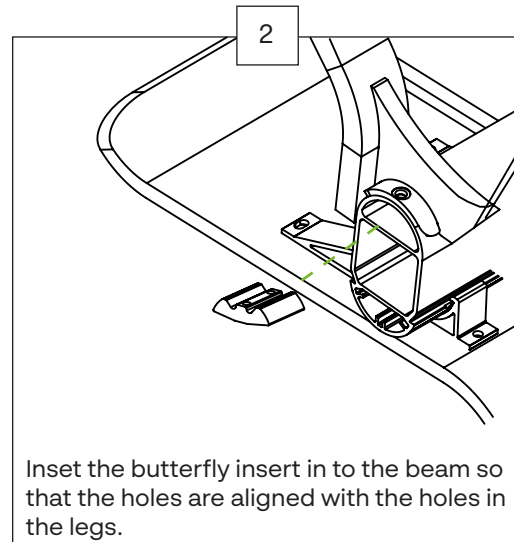
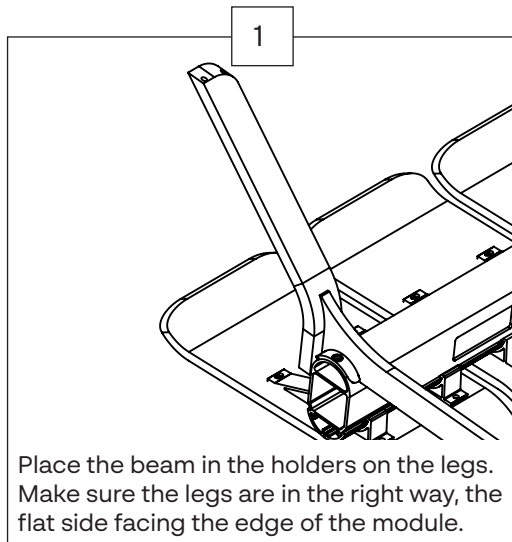


Leg



Assembly Instructions

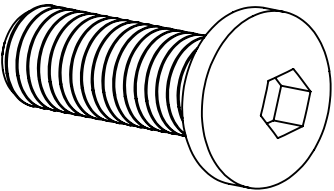
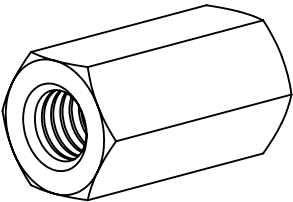
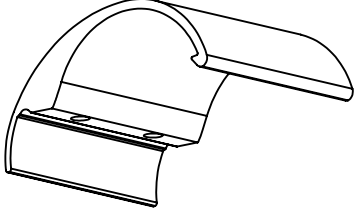
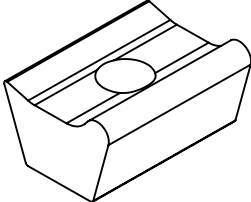
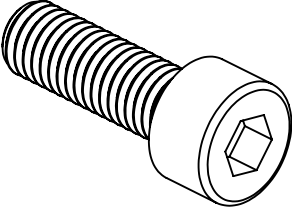
Assembly of Legs





Parts

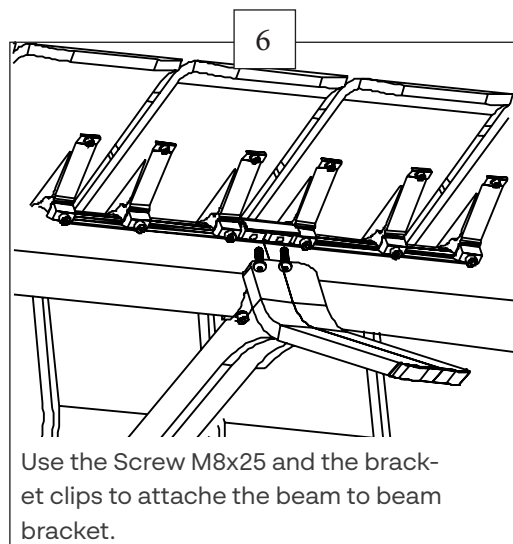
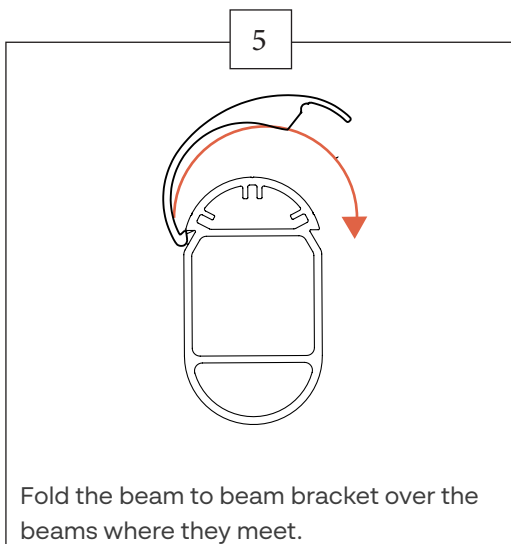
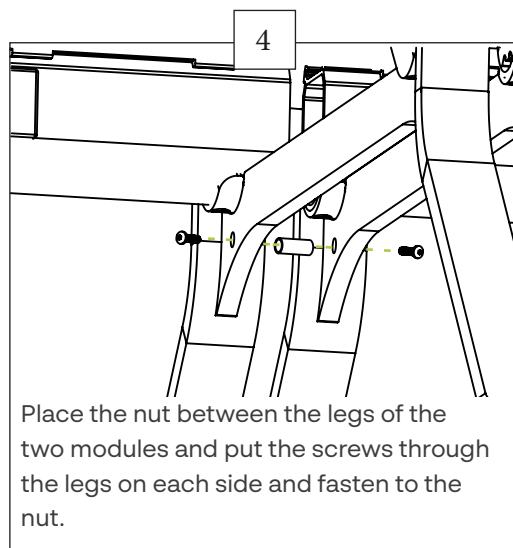
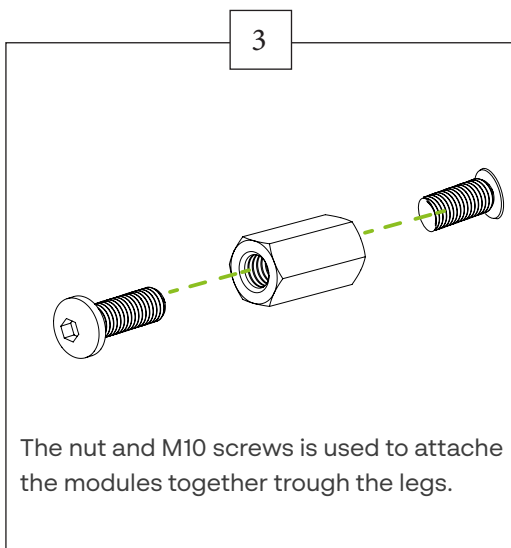
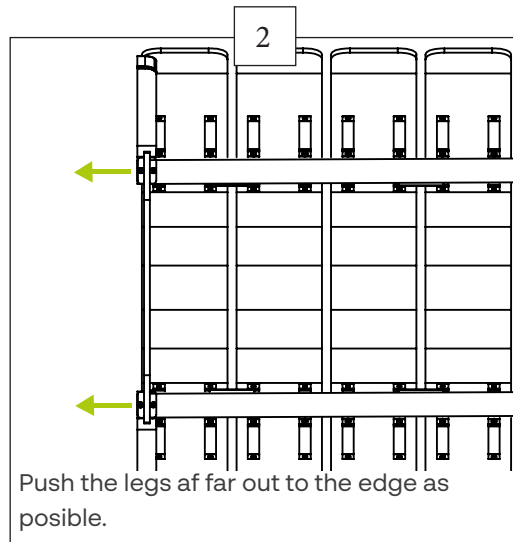
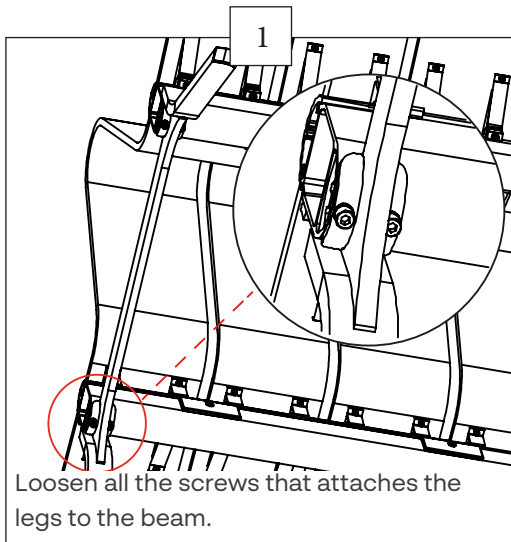
Ascent Series Connecting Double Modules

 <p>Screw M10x30 x4</p>	 <p>Nut M10 x2</p>	 <p>Beam to Beam Bracket x2</p>
 <p>Bracket Clip x4</p>	 <p>Screw M8x25 x4</p>	



Assembly instructions

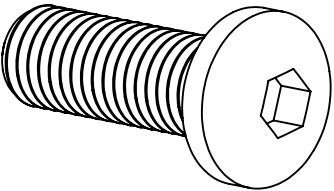
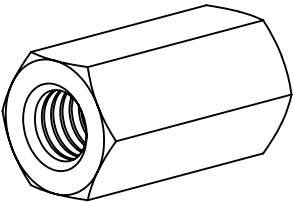
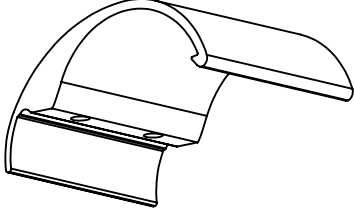
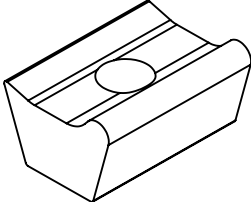
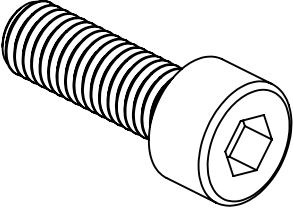
Ascent Series Connecting Double Modules





Parts

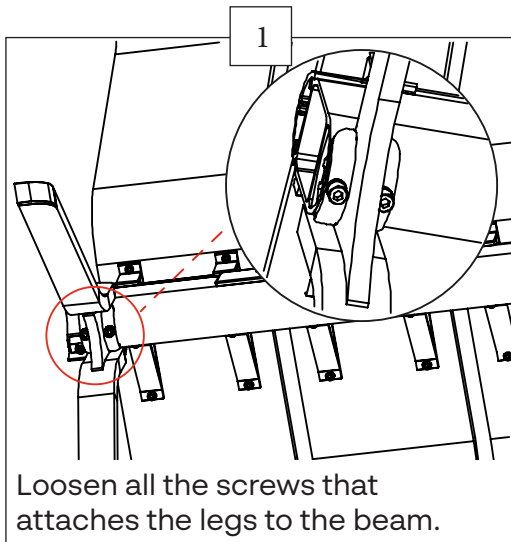
Ascent Series Connecting Single Modules

 <p>Screw M10x30 x2</p>	 <p>Nut M10 x1</p>	 <p>Beam to Beam Bracket x1</p>
 <p>Bracket Clip x2</p>	 <p>Screw M8x25 x2</p>	

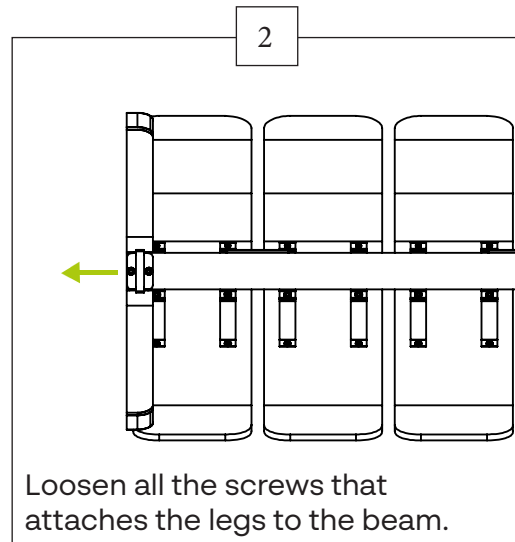


Assembly instructions

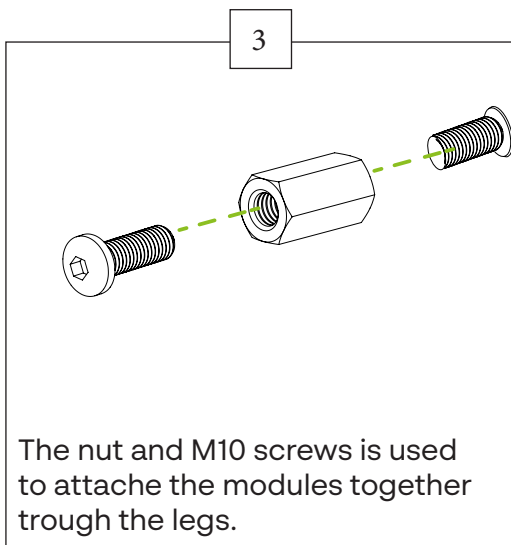
Ascent Series Connecting Single Modules



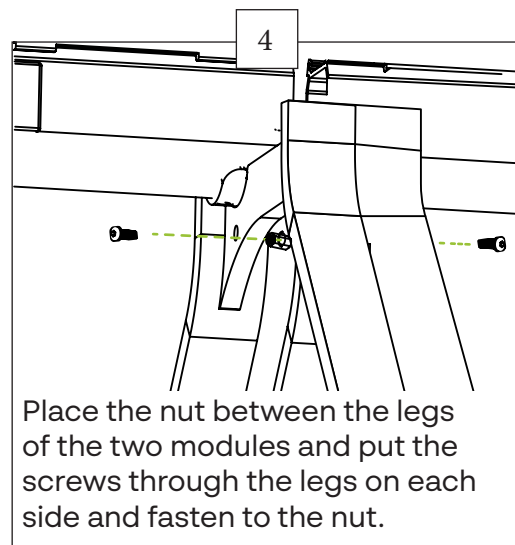
Loosen all the screws that attaches the legs to the beam.



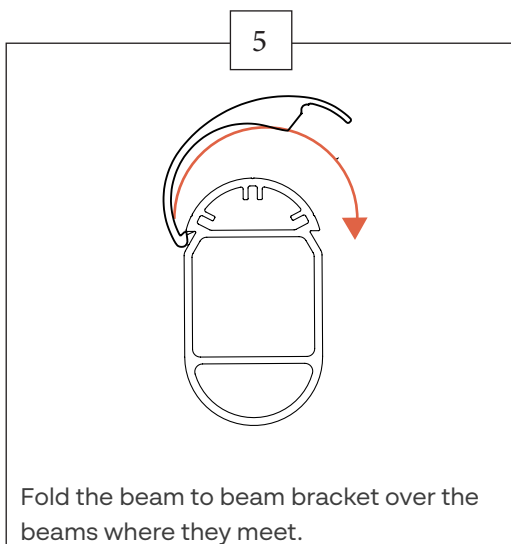
Loosen all the screws that attaches the legs to the beam.



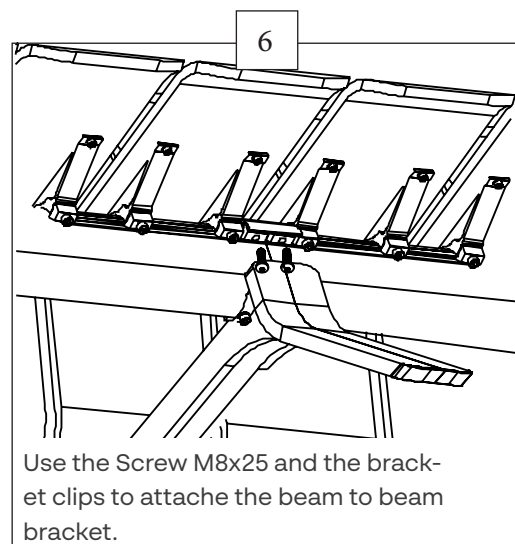
The nut and M10 screws is used to attache the modules together trough the legs.



Place the nut between the legs of the two modules and put the screws through the legs on each side and fasten to the nut.



Fold the beam to beam bracket over the beams where they meet.

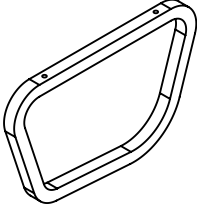
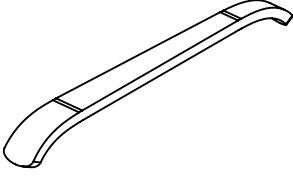
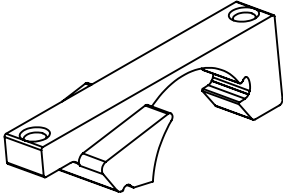
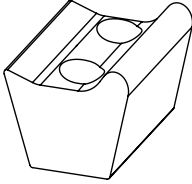
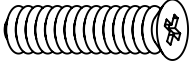
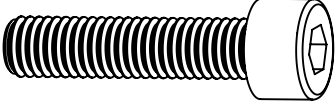


Use the Screw M8x25 and the bracket clips to attache the beam to beam bracket.



Parts

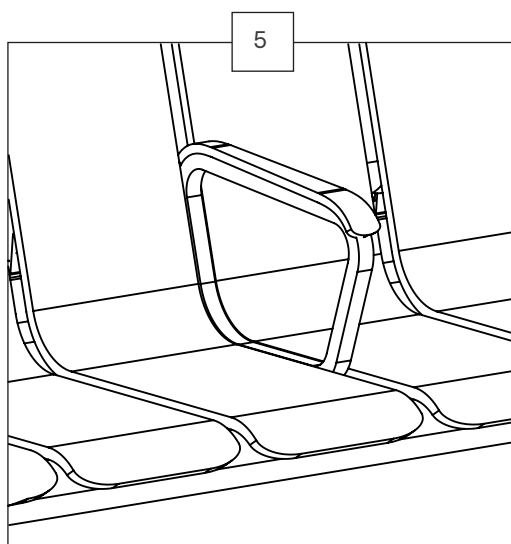
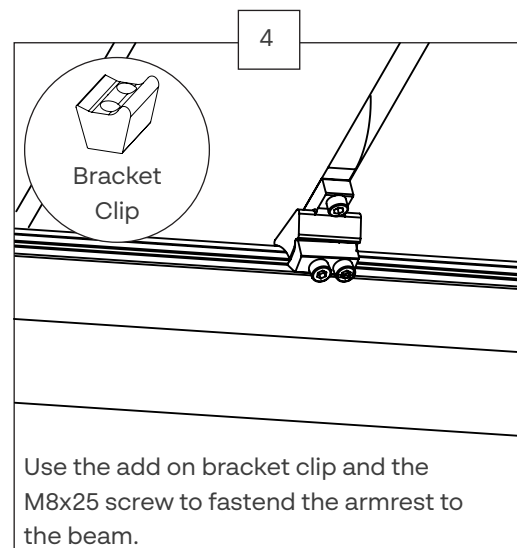
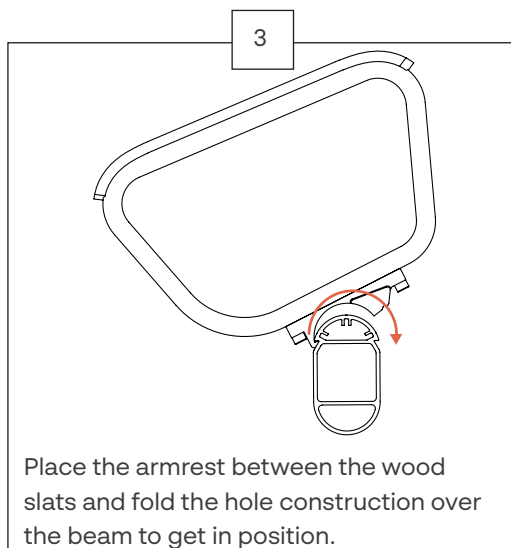
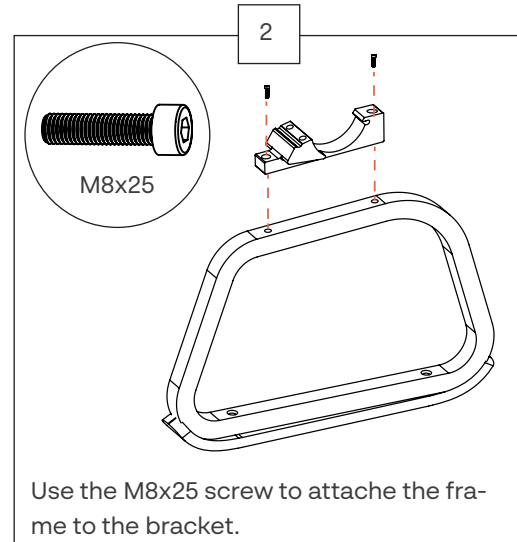
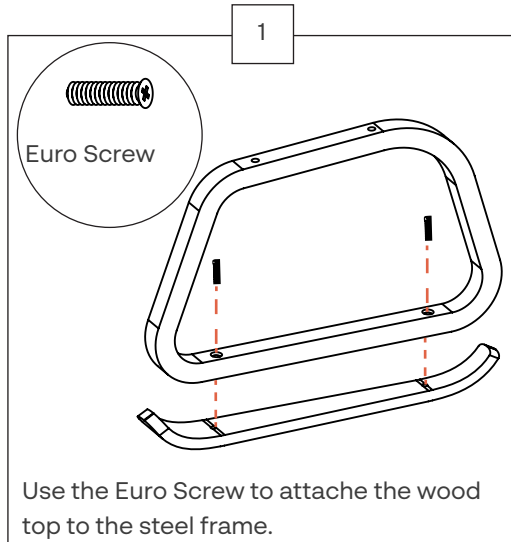
Ascent Armrest

 <p>Stadium_Armrest1_Frame x1</p>	 <p>Stadium_Armrest1_Top x1</p>	 <p>Stadium_Addon_Braket1 x1</p>
 <p>Stadium_Bracket_Clip_45mm_Wide x1</p>	 <p>Euro Screw 6.3x25mm x2</p>	 <p>Screw M8x25 ISO4762 Class8.8 FZB Tuflock Grey x4</p>



Assembly instructions

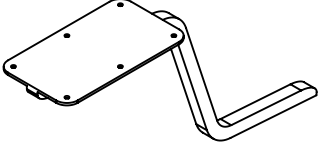
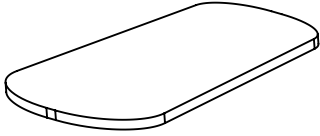
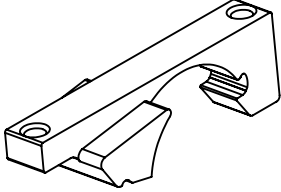
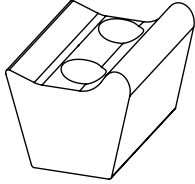


Ascent Armrest





Parts

Ascent Table

 <p>Stadium_Table1_Frame x1</p>	 <p>Stadium_Table1_Top x1</p>	 <p>Stadium_Addon_Braket1 x1</p>
 <p>Stadium_Bracket_Clip_45mm_Wide x1</p>	 <p>Euro Screw 6.3x9mm x1</p>	 <p>Screw M8x25 ISO4762 Class8.8 FZB Tuflock Grey x4</p>



Assembly instructions

Ascent Table

