

# Nova C Series Double Back Elevation

Characterized by sleek lines, generous proportions, and smooth contours, this new double-side bench creates a focal point for public interiors. The bench's low, lateral construction gives it an understated profile, while its serpentine shape adds an eye-catching complement to contemporary environments.

## Sustainability Information

- 100% certified sourced wood from responsible forestry
- 100% Recycled HDPE OceanIX plastic, made from old fishing nets
- Legs 100% recycled steel. Metal strips 20% recycled steel. Overall 85% recycled steel
- Wood parts: hard wax oil with 0% VOC and zero chemicals on the SIN-list
- Metal parts: powder coating with zero chemicals on the SIN-list
- Non-toxic adhesive, unclassified according to 1272/2008 [CLP/GHS]
- Each part can be replaced individually for easy maintenance during the product's life cycle

## Variations

- Nova C Double Back Elevation 100
- Nova C Double Back Elevation 30°
- Nova C Double Back Elevation 45°
- Nova C Double Back Elevation Step R
- Nova C Double Back Elevation Step L

## Warranty

15 year warranty. At the end of the lifecycle, all parts can be separated to material level and recycled. Part of Green's Buyback System.

## Materials & Finishes

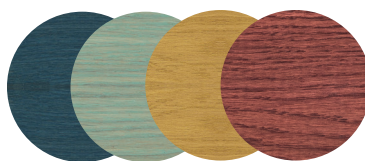
The metal parts are powder coated and the colours has zero chemicals on the SIN-list. We can provide almost any RAL colour for the metal parts.

All wooden parts are treated with an organic hard wax oil with 0% VOC and zero chemicals on the SIN-list. The har wax oil is available in a wide range of colours. We provide 12 colours in our standard range but we can also provide a variation of custom colours.

Legs and metal strips are made from steel, and wooden ribs are made from bent plywood with oak surface veneer.



**Standard Colours**



**Custom Colours**

# Nova C Series

## Double Back Elevation

### Maintenance & Cleanability

For cleaning of the wood surfaces use Rubio Monocoat SOAP. The Rubio Monocoat SOAP is available to buy in concentrate 1l and 2l cans. The mixture is efficient on most stains. Use a microfibre cloth.

The maintenance for metal parts only consists of cleaning. The cleaning can easily be done by wiping surfaces of with water and a cloth.

### Certifications

- Möbelfakta
- Nordic Ecolable

### Standards & Tests

- BFL S1 Fire certificate
- SP tested
- Crib 7
- B2

### Sizes & Measurements

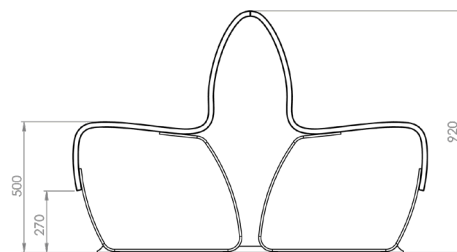
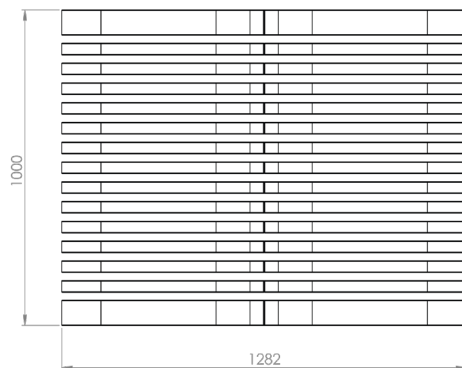
The modules of the Nova C Series varies in length and curvature.

#### Name:

Nova C Double Back Elevation 100

#### Article Number:

NBADEE1

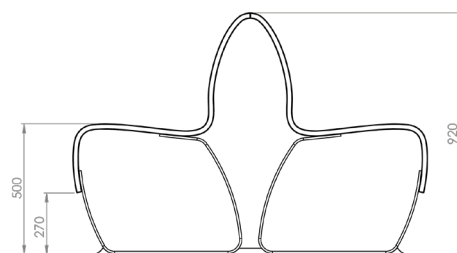
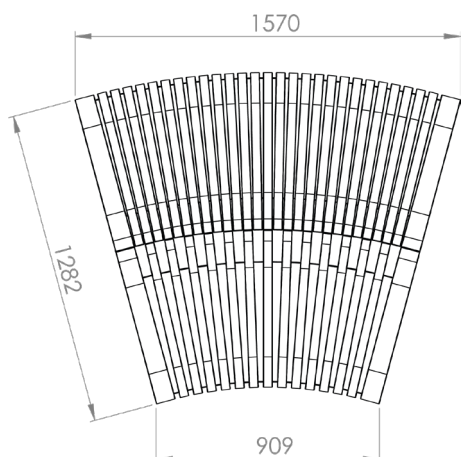


#### Name:

Nova C Double Back Elevation 30°

#### Article Number:

NBADEE2\_30

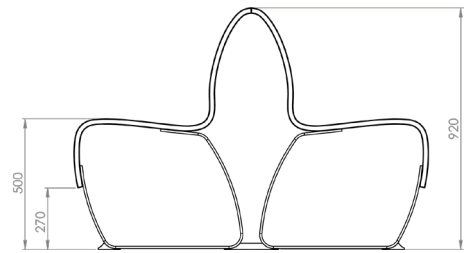
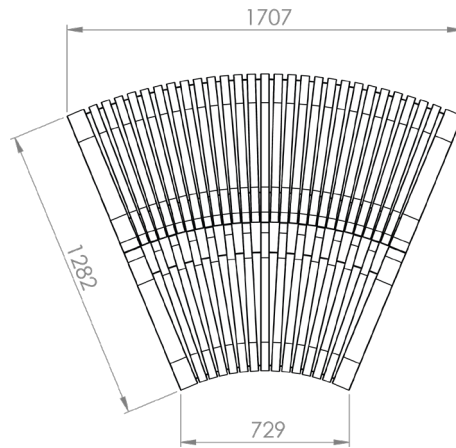


**Name:**

Nova C Double Back Elevation 45°

**Article Number:**

NBADEE2\_45

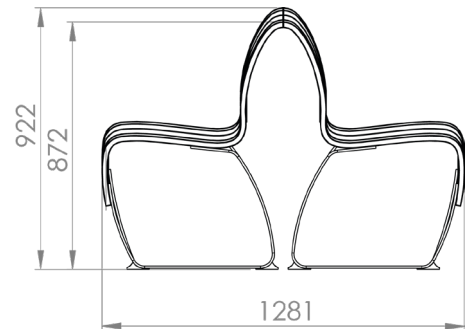
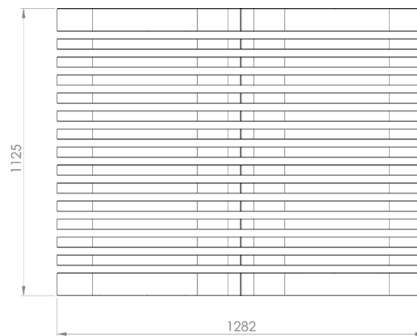


**Name:**

Nova C Double Back Elevation Step R

**Article Number:**

NBEDE1

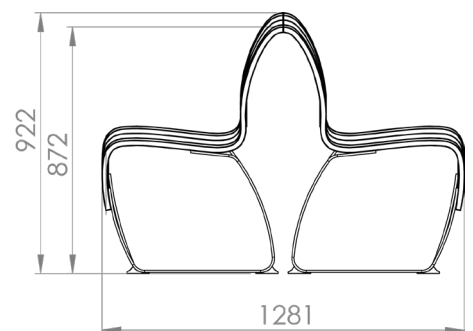
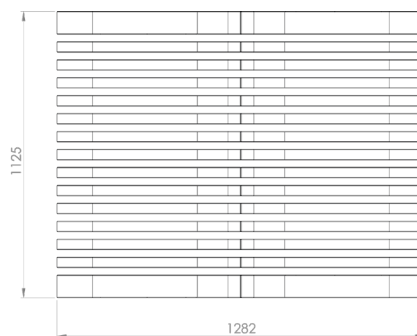


**Name:**

Nova C Double Back Elevation Step L

**Article Number:**

NBADE1



**GREEN  
FURNITURE  
CONCEPT**

**GLOBAL**

Carlsgatan 3  
211 20 Malmö, Sweden  
+46 (0)40 600 93 30

**AMERICAS**

15 Main St #244  
Watertown MA, 02472 USA  
Toll Free: 1 (877) 582-8664