

**Ascent Armrest**  
Ascent Series



GREEN  
FURNITURE  
CONCEPT



## Index

Module	p3
Components of Armrest	p4
Recycling of parts	p5
PartsAscent Series Armrest	p6
Assembly instructionsAscent Series Armrest	p7



## Ascent Series Add ons

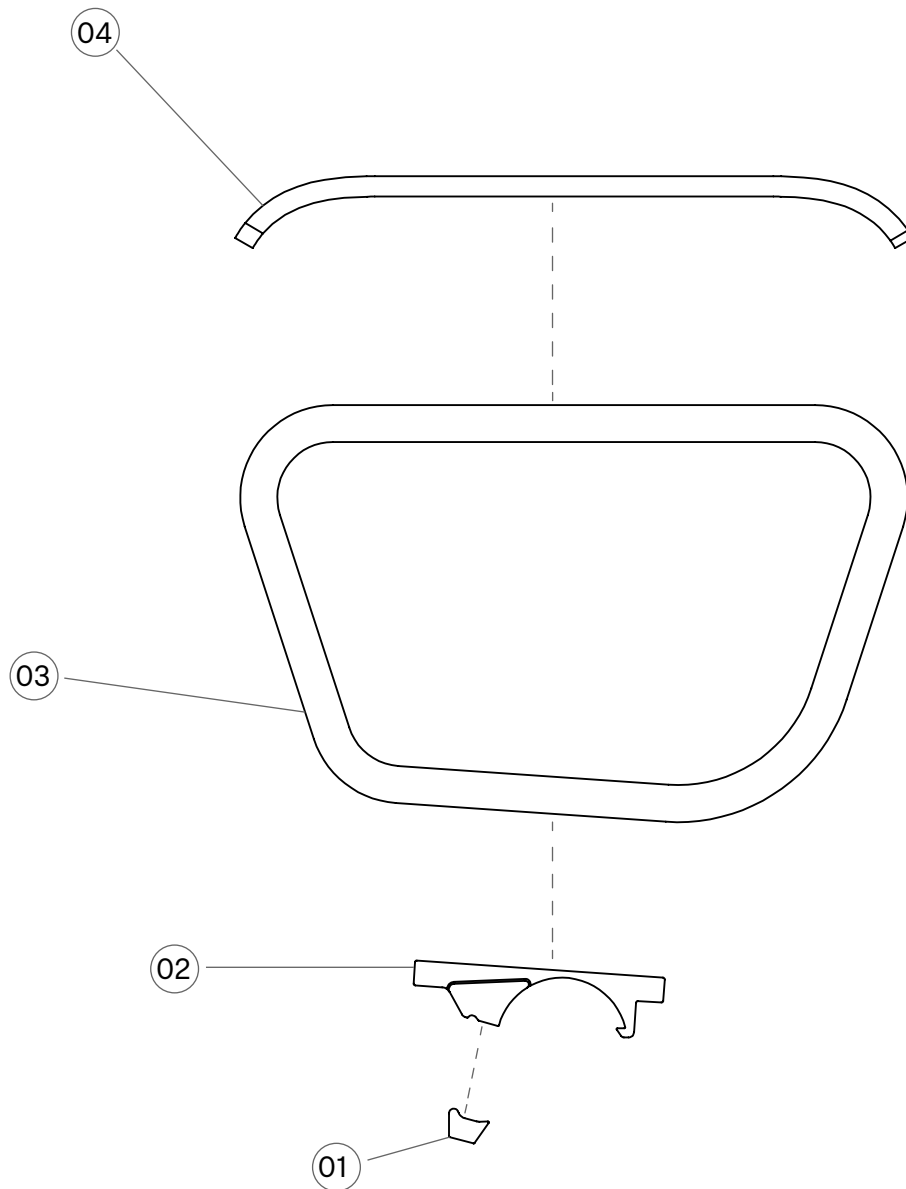
### Ascent Series Armrest

Closed loop metal frame armrest with a form pressed wooden top.





## Components of Armrest



01. Bracket Clip. Attaches the bracket to the beam with M8 screws.

02. Add-On Bracket. Attaches to the armrest frame using M8 screws.

03. Steel Frame.

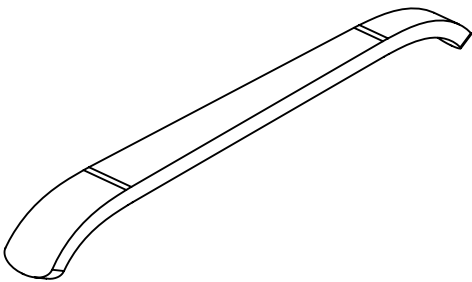
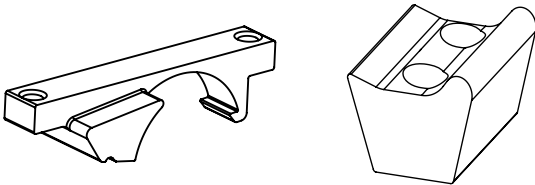
04. Wood top. Attaches to the steel frame with M6 screws.



## Recycling of parts

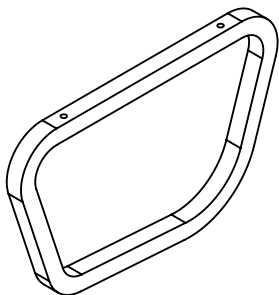
### Aluminium parts:

The beam, seatbrackets, butterfly insert and the bracket clip are made from aluminium and should be separated from the product and recycled as aluminium.



### Wooden parts:

All versions of the seat slats should be separated from the product and recycled as wood.



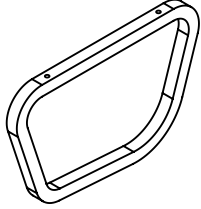
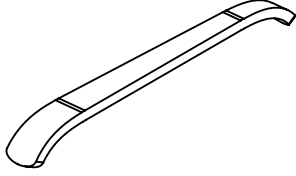
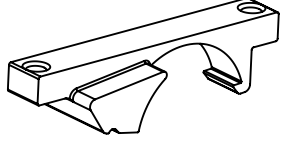
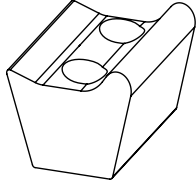
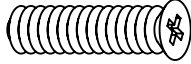

### Steel parts:

The legs are made from steel and should therefore be separated and recycled as steel.

---



**Parts**  
Ascent Armrest

 <p>Stadium_Armrest1_Frame x1</p>	 <p>Stadium_Armrest1_Top x1</p>	 <p>Stadium_Addon_Braket1 x1</p>
 <p>Stadium_Bracket_Clip_45mm_Wide x1</p>	 <p>Euro Screw 6.3x25mm x2</p>	 <p>Screw M8x25 ISO4762 Class8.8 FZB Tuflock Grey x4</p>



## Assembly instructions

Ascent Armrest

