

# Ascent Charger

Ascent Series



GREEN  
FURNITURE  
CONCEPT



## Index

Module	p3
Components of Ascent Charger	p4
Recycling of parts	p5
Parts   Ascent Series Charger	p6
Assembly instructions   Ascent Series Charger	p7-8



## Ascent Series Add ons

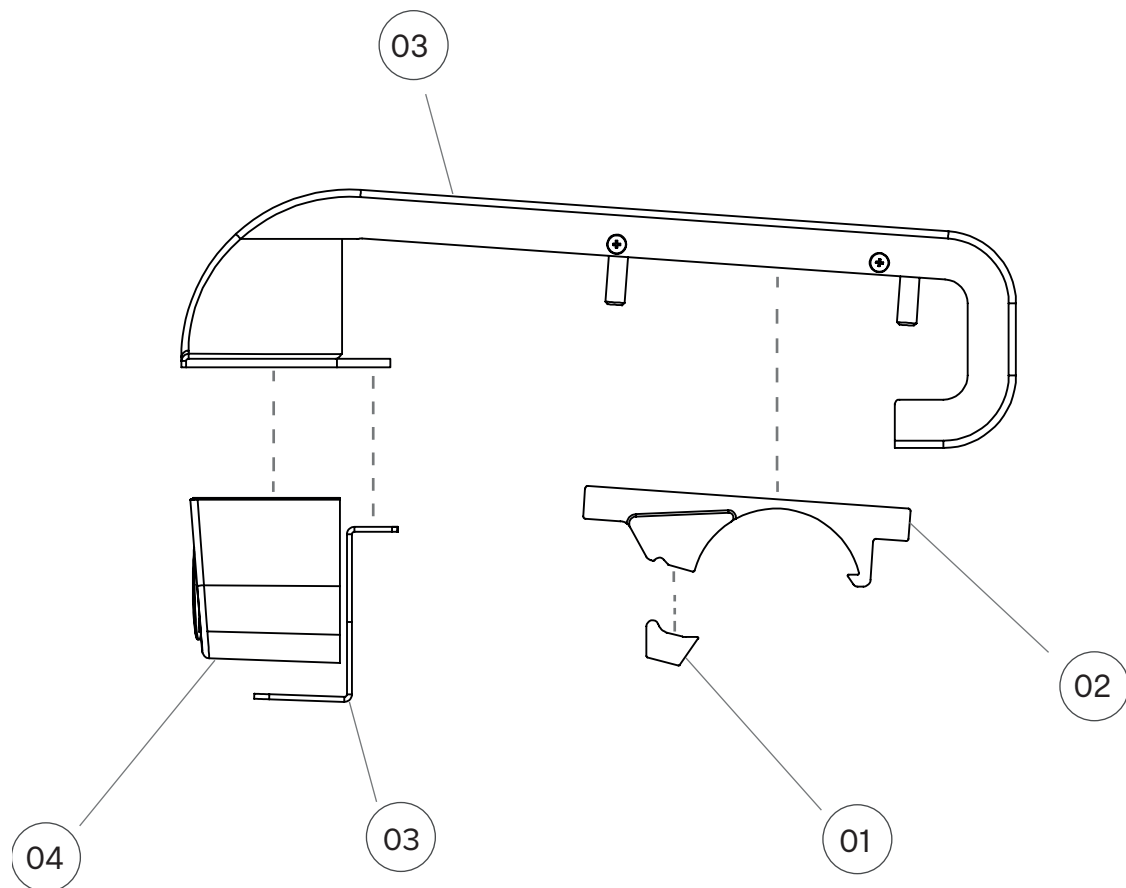
### Ascent Series Charger

Metal frame table with a wooden top.





## Components of Charger



01. Bracket Clip. Attaches the bracket to the beam with M8 screws.

02. Add-On Bracket. Attaches to the charger frame using M8 screws.

03. Steel Frame, with separate parts.

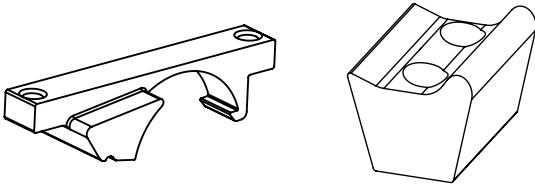
04. Phase Charger. Attaches to steel frame.



## Recycling of parts

### Aluminium parts:

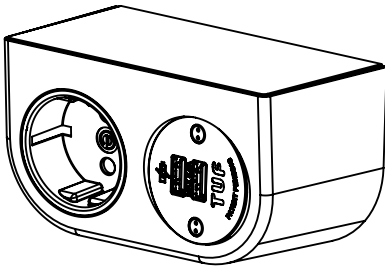
The beam, seatbrackets, butterfly insert and the bracket clip are made from aluminium and should be separated from the product and recycled as aluminum.



---

### Electrical parts:

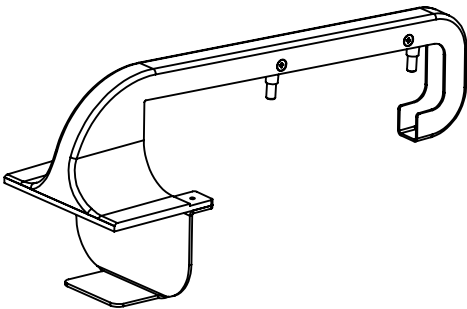
Electrical parts should be separated from the product and recycled as electrical waste.



---

### Steel parts:

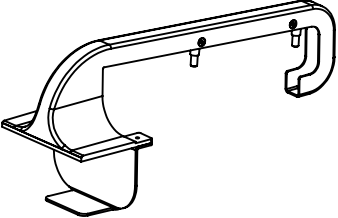
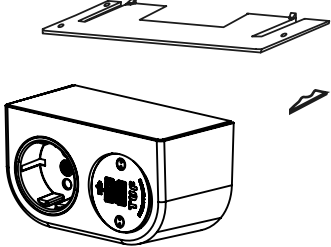
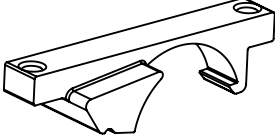
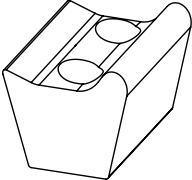

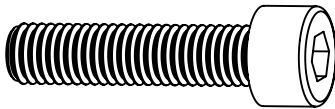

The legs are made from steel and should therefore be separated and recycled as steel.





## Parts

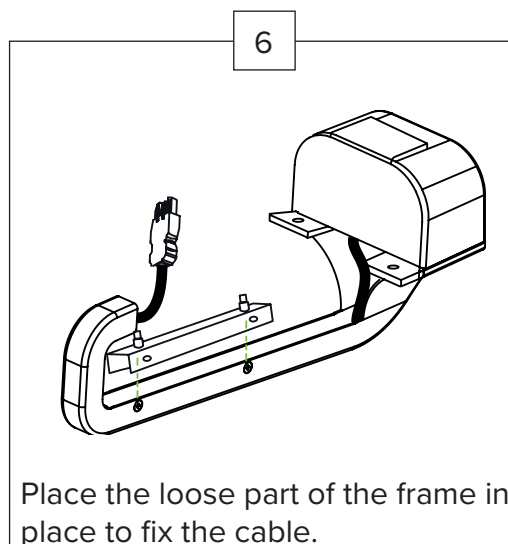
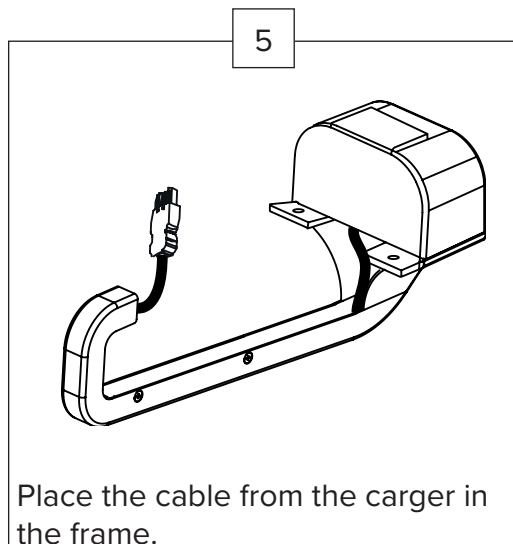
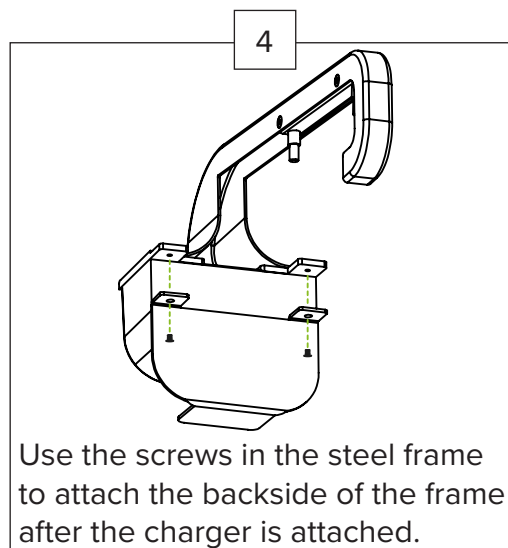
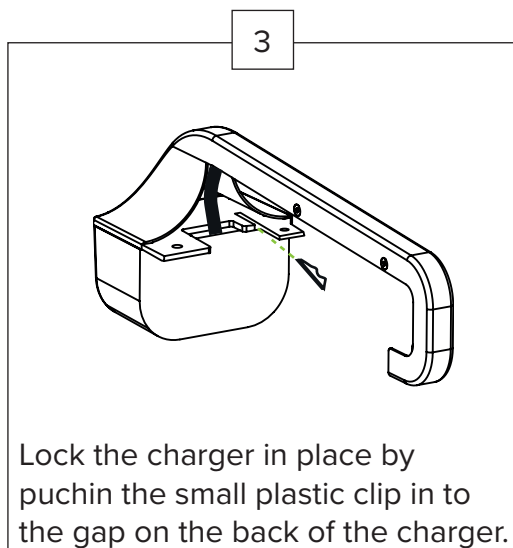
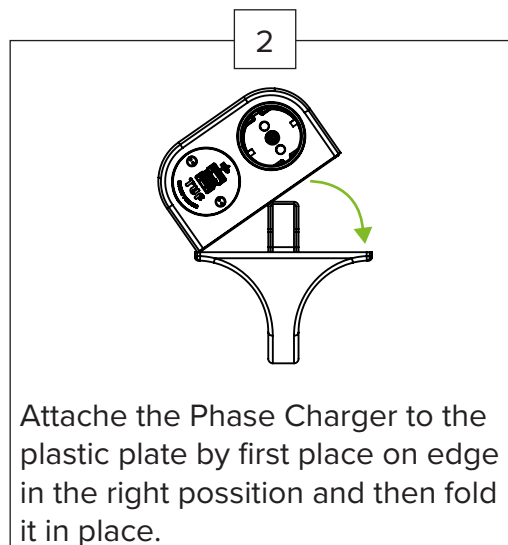
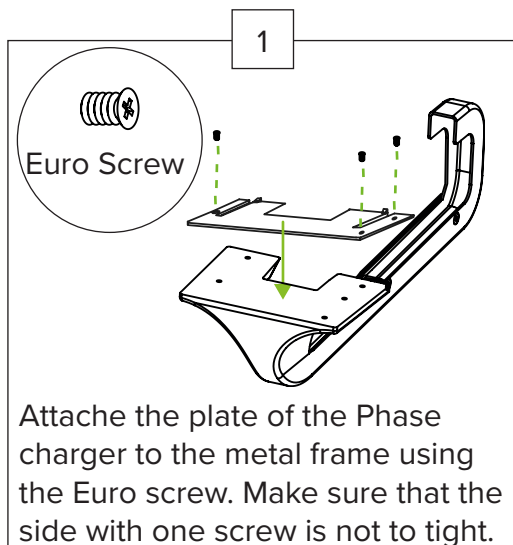
Ascent Charger

 <p>Stadium_Charger1_Frame x1</p>	 <p>Phase Charger x1</p>	 <p>Stadium_Addon_Braket1 x1</p>
 <p>Stadium_Bracket_Clip_45mm_Wide x1</p>	 <p>Nut M6 x1</p>	 <p>Screw M8x25 ISO4762 Class8.8 FZB Tuflock Grey x4</p>
		



## Assembly instructions

Ascent Charger





## Assembly instructions

Ascent Charger

